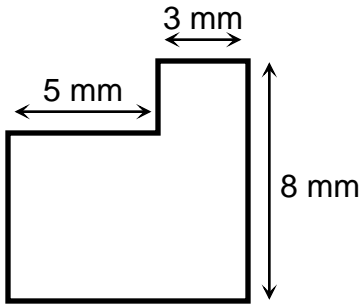
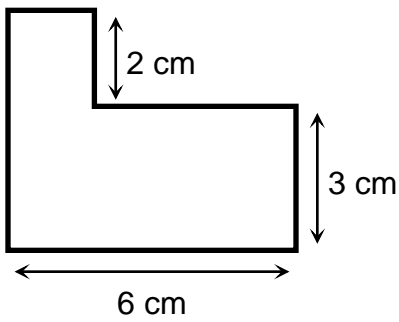
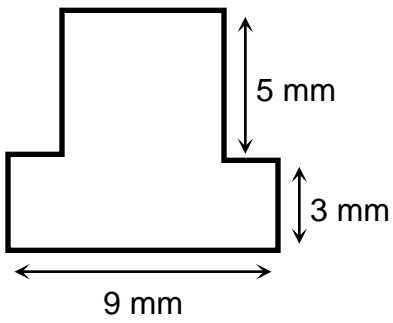


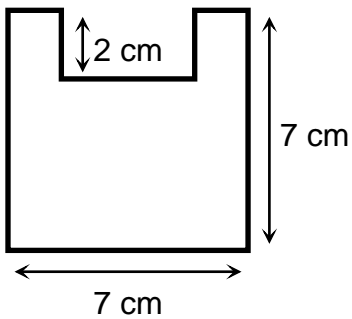


Find the perimeter.





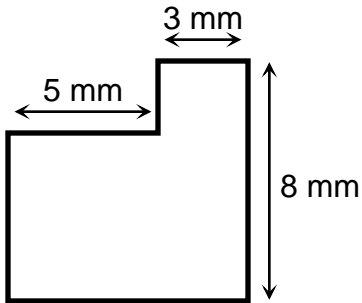






Answer Key

Find the perimeter.

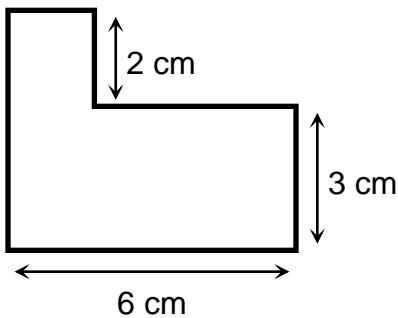


$$\text{perimeter} = 2 \times (5 \text{ mm} + 3 \text{ mm}) + 2 \times 8 \text{ mm}$$

$$\text{perimeter} = 2 \times 8 \text{ mm} + 2 \times 8 \text{ mm}$$

$$\text{perimeter} = 16 \text{ mm} + 16 \text{ mm}$$

$$\text{perimeter} = 32 \text{ mm}$$

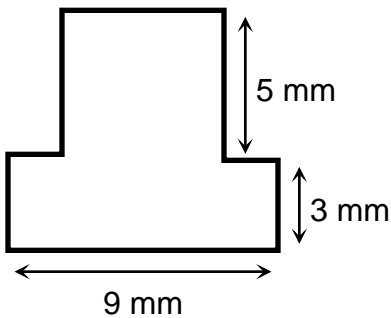


$$\text{perimeter} = 2 \times (2 \text{ cm} + 3 \text{ cm}) + 2 \times 6 \text{ cm}$$

$$\text{perimeter} = 2 \times 5 \text{ cm} + 2 \times 6 \text{ cm}$$

$$\text{perimeter} = 10 \text{ cm} + 12 \text{ cm}$$

$$\text{perimeter} = 22 \text{ cm}$$

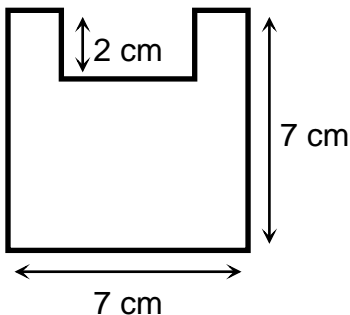


$$\text{perimeter} = 2 \times (5 \text{ mm} + 3 \text{ mm}) + 2 \times 9 \text{ mm}$$

$$\text{perimeter} = 2 \times 8 \text{ mm} + 2 \times 9 \text{ mm}$$

$$\text{perimeter} = 16 \text{ mm} + 18 \text{ mm}$$

$$\text{perimeter} = 34 \text{ mm}$$



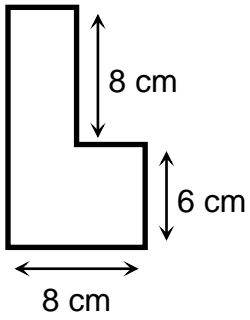
$$\text{perimeter} = 2 \times 7 \text{ cm} + 2 \times 7 \text{ cm} + 2 \times 2 \text{ cm}$$

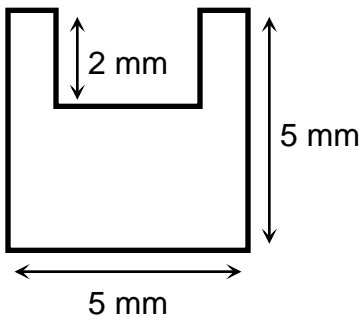
$$\text{perimeter} = 14 \text{ cm} + 14 \text{ cm} + 4 \text{ cm}$$

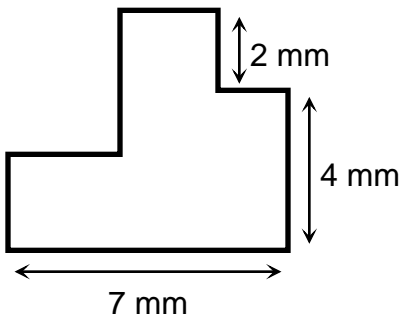
$$\text{perimeter} = 32 \text{ cm}$$

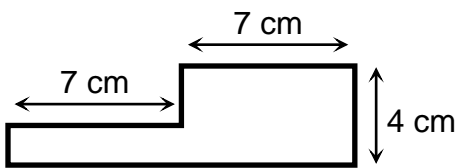


Find the perimeter.





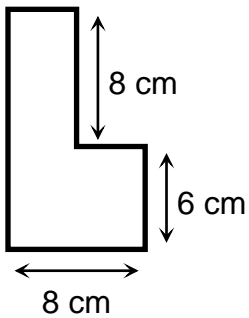






Answer Key

Find the perimeter.

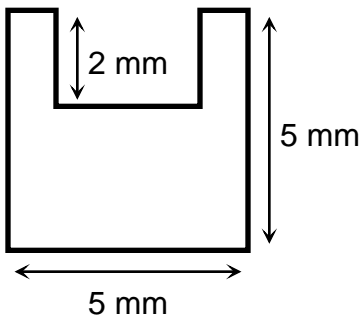


$$\text{perimeter} = 2 \times (8 \text{ cm} + 6 \text{ cm}) + 2 \times 8 \text{ cm}$$

$$\text{perimeter} = 2 \times 14 \text{ cm} + 2 \times 8 \text{ cm}$$

$$\text{perimeter} = 28 \text{ cm} + 16 \text{ cm}$$

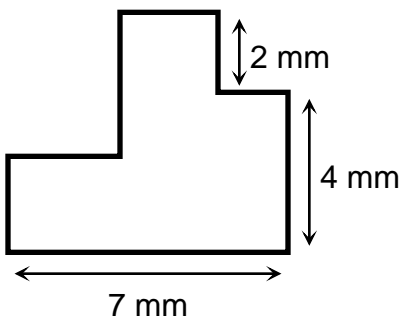
$$\text{perimeter} = 44 \text{ cm}$$



$$\text{perimeter} = 2 \times 5 \text{ mm} + 2 \times 5 \text{ mm} + 2 \times 2 \text{ mm}$$

$$\text{perimeter} = 10 \text{ mm} + 10 \text{ mm} + 4 \text{ mm}$$

$$\text{perimeter} = 24 \text{ mm}$$

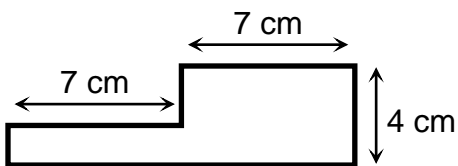


$$\text{perimeter} = 2 \times (2 \text{ mm} + 4 \text{ mm}) + 2 \times 7 \text{ mm}$$

$$\text{perimeter} = 2 \times 6 \text{ mm} + 2 \times 7 \text{ mm}$$

$$\text{perimeter} = 12 \text{ mm} + 14 \text{ mm}$$

$$\text{perimeter} = 26 \text{ mm}$$



$$\text{perimeter} = 2 \times (7 \text{ cm} + 7 \text{ cm}) + 2 \times 4 \text{ cm}$$

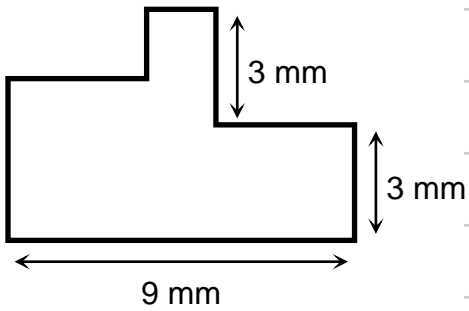
$$\text{perimeter} = 2 \times 14 \text{ cm} + 2 \times 4 \text{ cm}$$

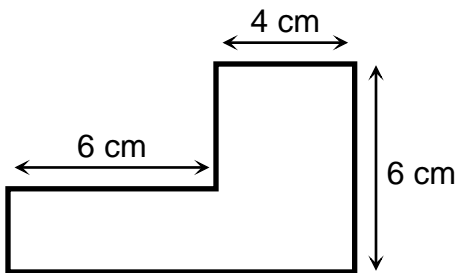
$$\text{perimeter} = 28 \text{ cm} + 8 \text{ cm}$$

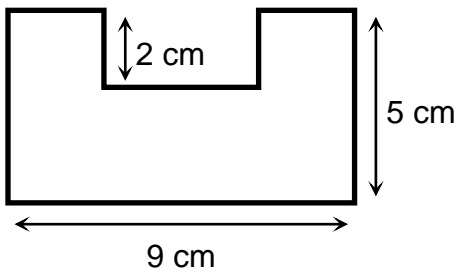
$$\text{perimeter} = 36 \text{ cm}$$

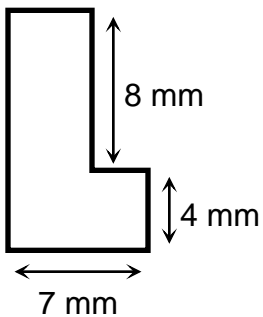


Find the perimeter.





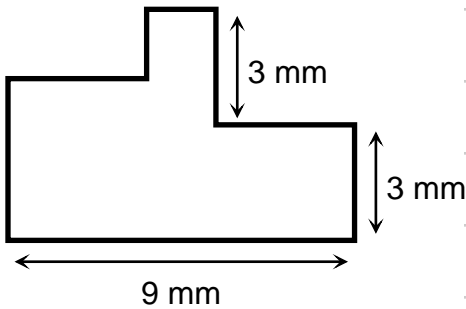






Answer Key

Find the perimeter.

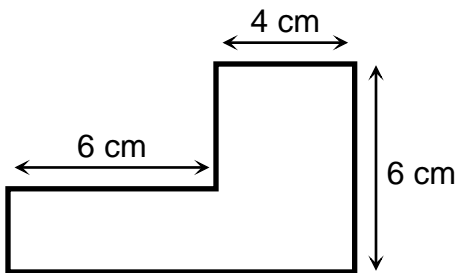


$$\text{perimeter} = 2 \times (3 \text{ mm} + 3 \text{ mm}) + 2 \times 9 \text{ mm}$$

$$\text{perimeter} = 2 \times 6 \text{ mm} + 2 \times 9 \text{ mm}$$

$$\text{perimeter} = 12 \text{ mm} + 18 \text{ mm}$$

$$\text{perimeter} = 30 \text{ mm}$$

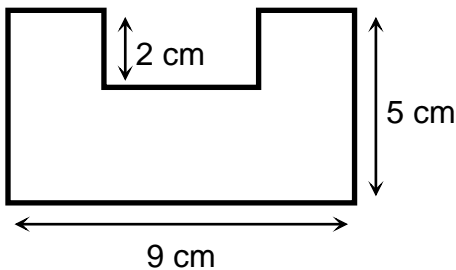


$$\text{perimeter} = 2 \times (6 \text{ cm} + 4 \text{ cm}) + 2 \times 6 \text{ cm}$$

$$\text{perimeter} = 2 \times 10 \text{ cm} + 2 \times 6 \text{ cm}$$

$$\text{perimeter} = 20 \text{ cm} + 12 \text{ cm}$$

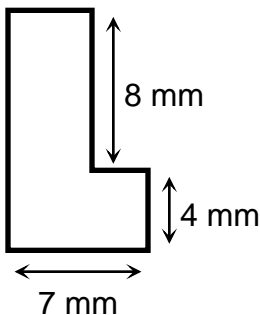
$$\text{perimeter} = 32 \text{ cm}$$



$$\text{perimeter} = 2 \times 9 \text{ cm} + 2 \times 5 \text{ cm} + 2 \times 2 \text{ cm}$$

$$\text{perimeter} = 18 \text{ cm} + 10 \text{ cm} + 4 \text{ cm}$$

$$\text{perimeter} = 32 \text{ cm}$$



$$\text{perimeter} = 2 \times (8 \text{ mm} + 4 \text{ mm}) + 2 \times 7 \text{ mm}$$

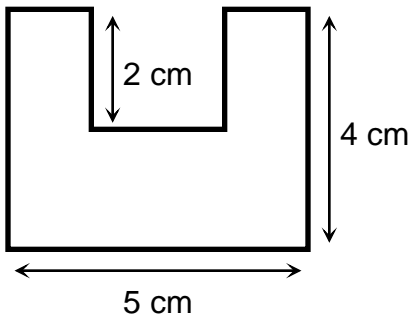
$$\text{perimeter} = 2 \times 12 \text{ mm} + 2 \times 7 \text{ mm}$$

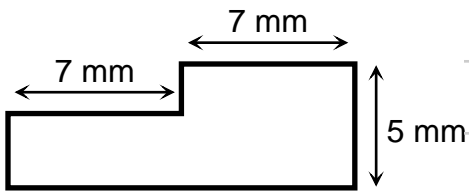
$$\text{perimeter} = 24 \text{ mm} + 14 \text{ mm}$$

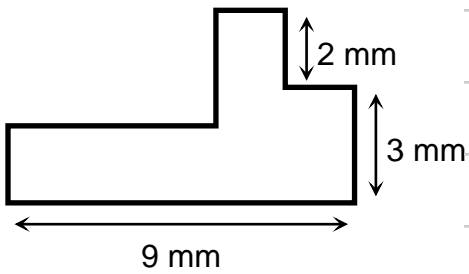
$$\text{perimeter} = 38 \text{ mm}$$

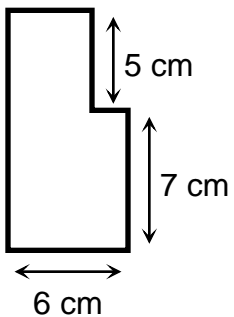


Find the perimeter.





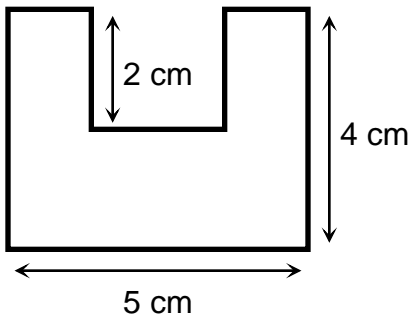






Answer Key

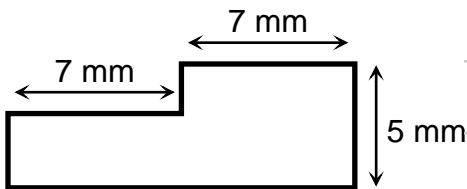
Find the perimeter.



$$\text{perimeter} = 2 \times 5 \text{ cm} + 2 \times 4 \text{ cm} + 2 \times 2 \text{ cm}$$

$$\text{perimeter} = 10 \text{ cm} + 8 \text{ cm} + 4 \text{ cm}$$

$$\text{perimeter} = 22 \text{ cm}$$

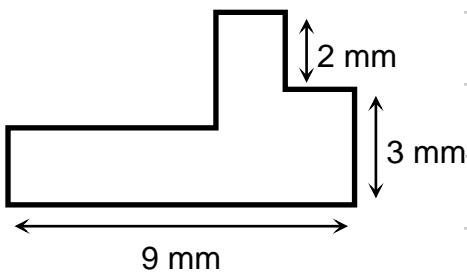


$$\text{perimeter} = 2 \times (7 \text{ mm} + 7 \text{ mm}) + 2 \times 5 \text{ mm}$$

$$\text{perimeter} = 2 \times 14 \text{ mm} + 2 \times 5 \text{ mm}$$

$$\text{perimeter} = 28 \text{ mm} + 10 \text{ mm}$$

$$\text{perimeter} = 38 \text{ mm}$$

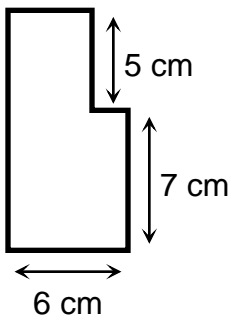


$$\text{perimeter} = 2 \times (2 \text{ mm} + 3 \text{ mm}) + 2 \times 9 \text{ mm}$$

$$\text{perimeter} = 2 \times 5 \text{ mm} + 2 \times 9 \text{ mm}$$

$$\text{perimeter} = 10 \text{ mm} + 18 \text{ mm}$$

$$\text{perimeter} = 28 \text{ mm}$$



$$\text{perimeter} = 2 \times (5 \text{ cm} + 7 \text{ cm}) + 2 \times 6 \text{ cm}$$

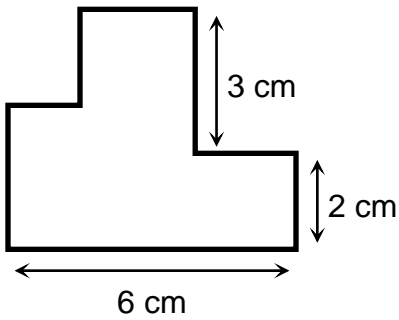
$$\text{perimeter} = 2 \times 12 \text{ cm} + 2 \times 6 \text{ cm}$$

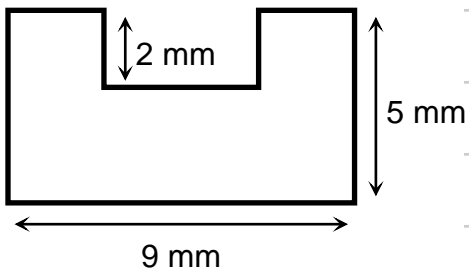
$$\text{perimeter} = 24 \text{ cm} + 12 \text{ cm}$$

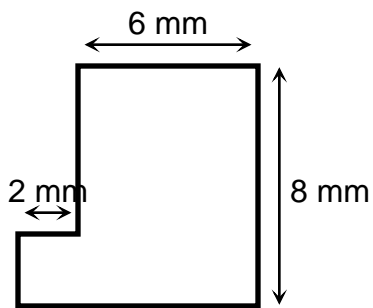
$$\text{perimeter} = 36 \text{ cm}$$

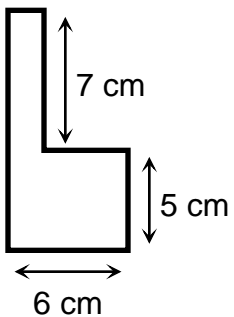


Find the perimeter.





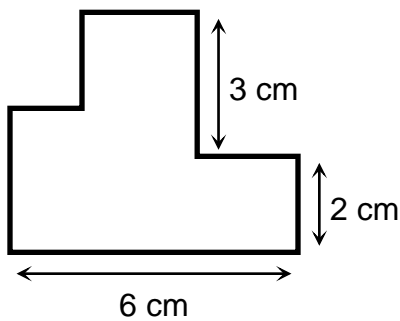






Answer Key

Find the perimeter.

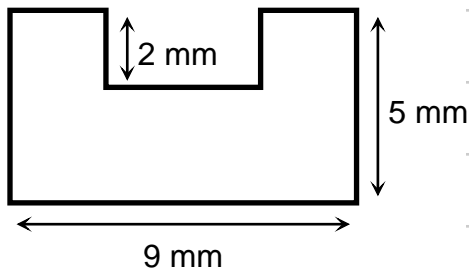


$$\text{perimeter} = 2 \times (3 \text{ cm} + 2 \text{ cm}) + 2 \times 6 \text{ cm}$$

$$\text{perimeter} = 2 \times 5 \text{ cm} + 2 \times 6 \text{ cm}$$

$$\text{perimeter} = 10 \text{ cm} + 12 \text{ cm}$$

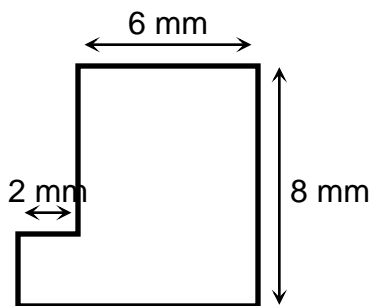
$$\text{perimeter} = 22 \text{ cm}$$



$$\text{perimeter} = 2 \times 9 \text{ mm} + 2 \times 5 \text{ mm} + 2 \times 2 \text{ mm}$$

$$\text{perimeter} = 18 \text{ mm} + 10 \text{ mm} + 4 \text{ mm}$$

$$\text{perimeter} = 32 \text{ mm}$$

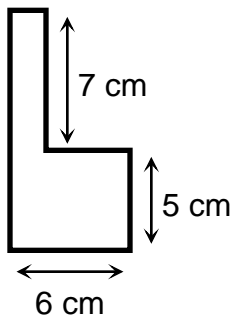


$$\text{perimeter} = 2 \times (2 \text{ mm} + 6 \text{ mm}) + 2 \times 8 \text{ mm}$$

$$\text{perimeter} = 2 \times 8 \text{ mm} + 2 \times 8 \text{ mm}$$

$$\text{perimeter} = 16 \text{ mm} + 16 \text{ mm}$$

$$\text{perimeter} = 32 \text{ mm}$$



$$\text{perimeter} = 2 \times (7 \text{ cm} + 5 \text{ cm}) + 2 \times 6 \text{ cm}$$

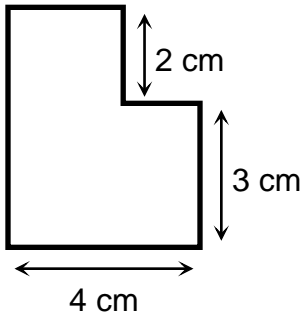
$$\text{perimeter} = 2 \times 12 \text{ cm} + 2 \times 6 \text{ cm}$$

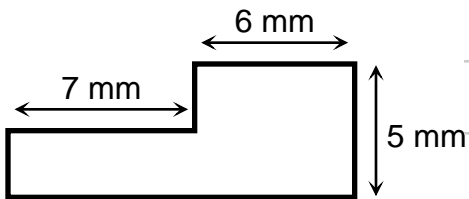
$$\text{perimeter} = 24 \text{ cm} + 12 \text{ cm}$$

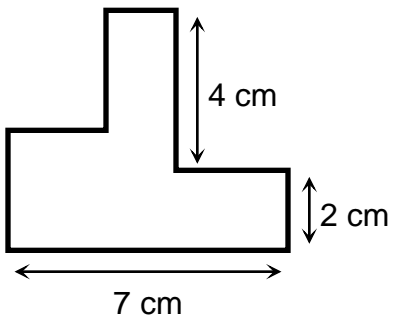
$$\text{perimeter} = 36 \text{ cm}$$

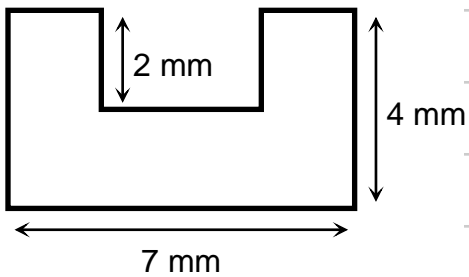


Find the perimeter.





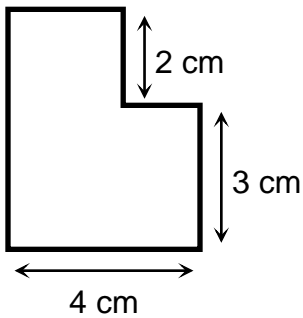






Answer Key

Find the perimeter.

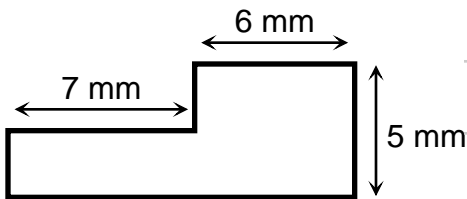


$$\text{perimeter} = 2 \times (2 \text{ cm} + 3 \text{ cm}) + 2 \times 4 \text{ cm}$$

$$\text{perimeter} = 2 \times 5 \text{ cm} + 2 \times 4 \text{ cm}$$

$$\text{perimeter} = 10 \text{ cm} + 8 \text{ cm}$$

$$\text{perimeter} = 18 \text{ cm}$$

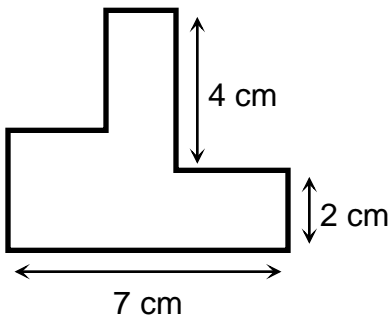


$$\text{perimeter} = 2 \times (7 \text{ mm} + 6 \text{ mm}) + 2 \times 5 \text{ mm}$$

$$\text{perimeter} = 2 \times 13 \text{ mm} + 2 \times 5 \text{ mm}$$

$$\text{perimeter} = 26 \text{ mm} + 10 \text{ mm}$$

$$\text{perimeter} = 36 \text{ mm}$$

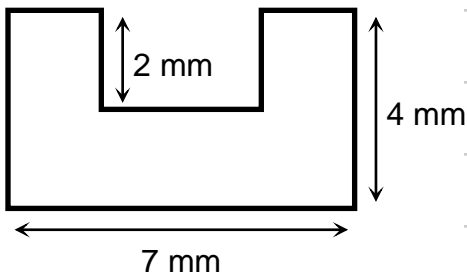


$$\text{perimeter} = 2 \times (4 \text{ cm} + 2 \text{ cm}) + 2 \times 7 \text{ cm}$$

$$\text{perimeter} = 2 \times 6 \text{ cm} + 2 \times 7 \text{ cm}$$

$$\text{perimeter} = 12 \text{ cm} + 14 \text{ cm}$$

$$\text{perimeter} = 26 \text{ cm}$$



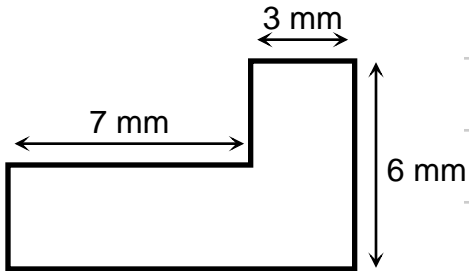
$$\text{perimeter} = 2 \times 7 \text{ mm} + 2 \times 4 \text{ mm} + 2 \times 2 \text{ mm}$$

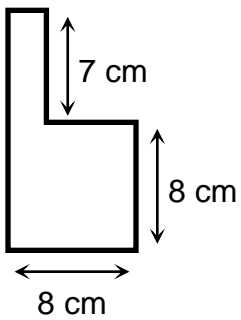
$$\text{perimeter} = 14 \text{ mm} + 8 \text{ mm} + 4 \text{ mm}$$

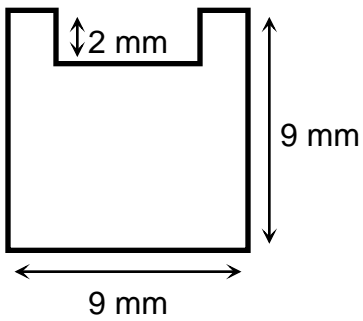
$$\text{perimeter} = 26 \text{ mm}$$

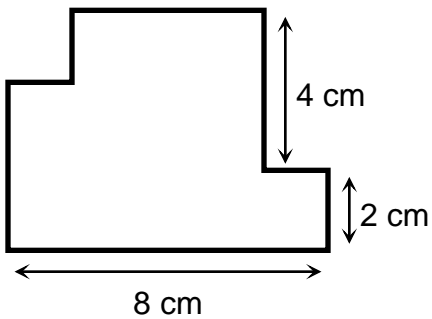


Find the perimeter.





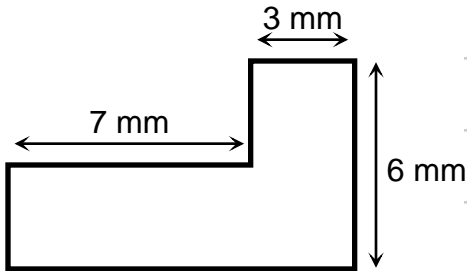






Answer Key

Find the perimeter.

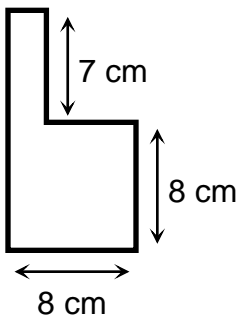


$$\text{perimeter} = 2 \times (7 \text{ mm} + 3 \text{ mm}) + 2 \times 6 \text{ mm}$$

$$\text{perimeter} = 2 \times 10 \text{ mm} + 2 \times 6 \text{ mm}$$

$$\text{perimeter} = 20 \text{ mm} + 12 \text{ mm}$$

$$\text{perimeter} = 32 \text{ mm}$$

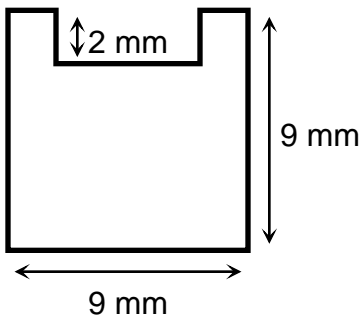


$$\text{perimeter} = 2 \times (7 \text{ cm} + 8 \text{ cm}) + 2 \times 8 \text{ cm}$$

$$\text{perimeter} = 2 \times 15 \text{ cm} + 2 \times 8 \text{ cm}$$

$$\text{perimeter} = 30 \text{ cm} + 16 \text{ cm}$$

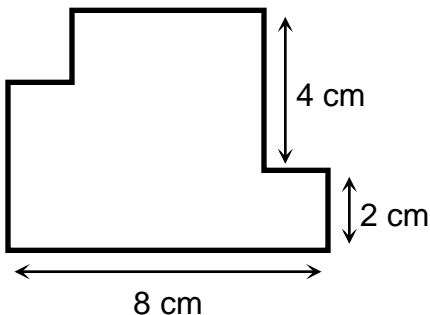
$$\text{perimeter} = 46 \text{ cm}$$



$$\text{perimeter} = 2 \times 9 \text{ mm} + 2 \times 9 \text{ mm} + 2 \times 2 \text{ mm}$$

$$\text{perimeter} = 18 \text{ mm} + 18 \text{ mm} + 4 \text{ mm}$$

$$\text{perimeter} = 40 \text{ mm}$$



$$\text{perimeter} = 2 \times (4 \text{ cm} + 2 \text{ cm}) + 2 \times 8 \text{ cm}$$

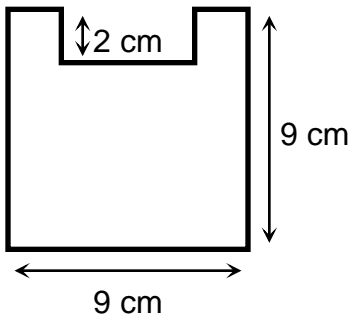
$$\text{perimeter} = 2 \times 6 \text{ cm} + 2 \times 8 \text{ cm}$$

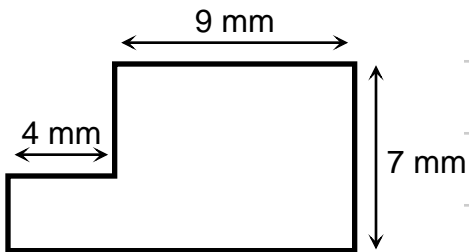
$$\text{perimeter} = 12 \text{ cm} + 16 \text{ cm}$$

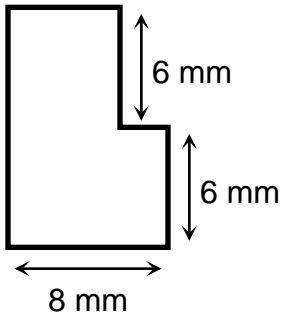
$$\text{perimeter} = 28 \text{ cm}$$

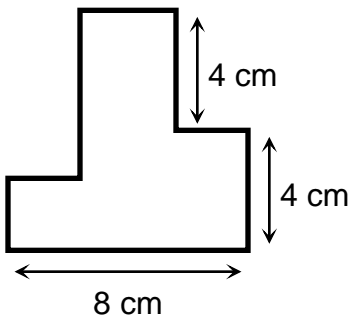


Find the perimeter.





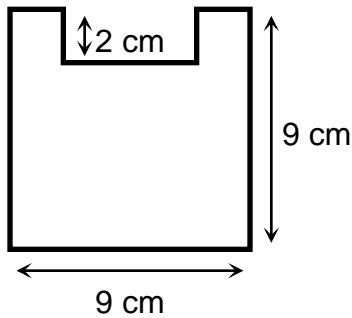






Answer Key

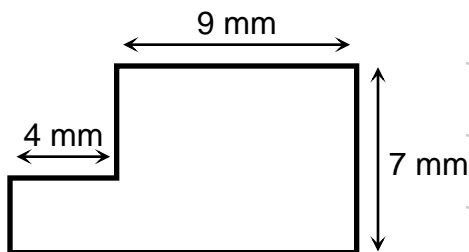
Find the perimeter.



$$\text{perimeter} = 2 \times 9 \text{ cm} + 2 \times 9 \text{ cm} + 2 \times 2 \text{ cm}$$

$$\text{perimeter} = 18 \text{ cm} + 18 \text{ cm} + 4 \text{ cm}$$

$$\text{perimeter} = 40 \text{ cm}$$

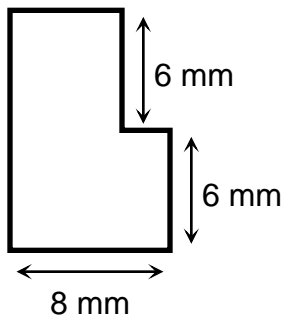


$$\text{perimeter} = 2 \times (4 \text{ mm} + 9 \text{ mm}) + 2 \times 7 \text{ mm}$$

$$\text{perimeter} = 2 \times 13 \text{ mm} + 2 \times 7 \text{ mm}$$

$$\text{perimeter} = 26 \text{ mm} + 14 \text{ mm}$$

$$\text{perimeter} = 40 \text{ mm}$$

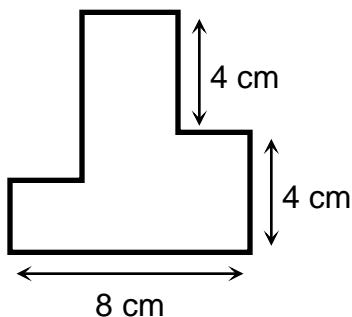


$$\text{perimeter} = 2 \times (6 \text{ mm} + 6 \text{ mm}) + 2 \times 8 \text{ mm}$$

$$\text{perimeter} = 2 \times 12 \text{ mm} + 2 \times 8 \text{ mm}$$

$$\text{perimeter} = 24 \text{ mm} + 16 \text{ mm}$$

$$\text{perimeter} = 40 \text{ mm}$$



$$\text{perimeter} = 2 \times (4 \text{ cm} + 4 \text{ cm}) + 2 \times 8 \text{ cm}$$

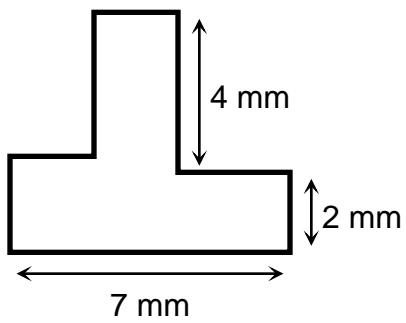
$$\text{perimeter} = 2 \times 8 \text{ cm} + 2 \times 8 \text{ cm}$$

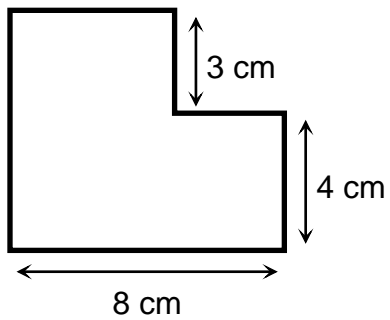
$$\text{perimeter} = 16 \text{ cm} + 16 \text{ cm}$$

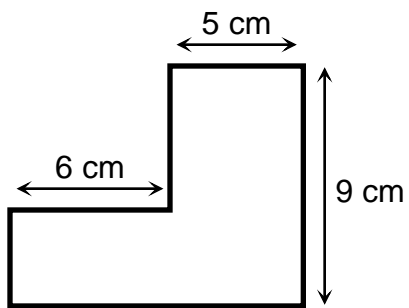
$$\text{perimeter} = 32 \text{ cm}$$

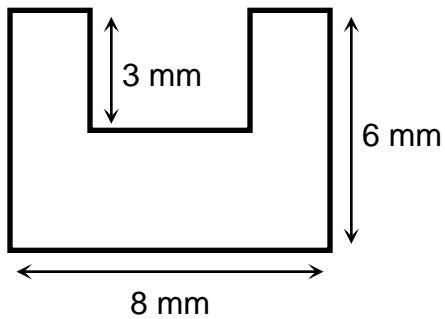


Find the perimeter.





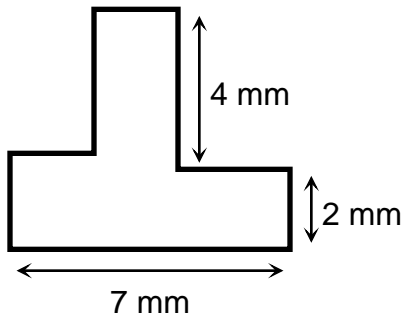






Answer Key

Find the perimeter.

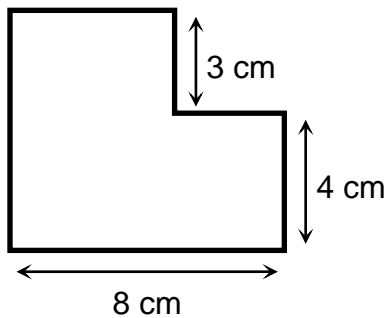


$$\text{perimeter} = 2 \times (4 \text{ mm} + 2 \text{ mm}) + 2 \times 7 \text{ mm}$$

$$\text{perimeter} = 2 \times 6 \text{ mm} + 2 \times 7 \text{ mm}$$

$$\text{perimeter} = 12 \text{ mm} + 14 \text{ mm}$$

$$\text{perimeter} = 26 \text{ mm}$$

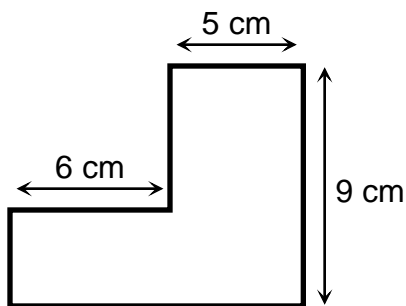


$$\text{perimeter} = 2 \times (3 \text{ cm} + 4 \text{ cm}) + 2 \times 8 \text{ cm}$$

$$\text{perimeter} = 2 \times 7 \text{ cm} + 2 \times 8 \text{ cm}$$

$$\text{perimeter} = 14 \text{ cm} + 16 \text{ cm}$$

$$\text{perimeter} = 30 \text{ cm}$$

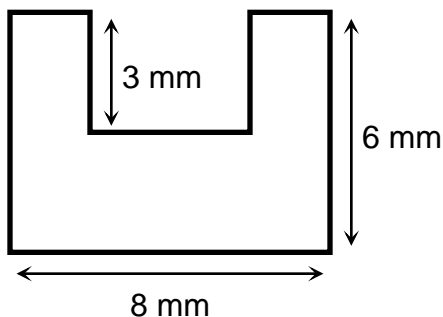


$$\text{perimeter} = 2 \times (6 \text{ cm} + 5 \text{ cm}) + 2 \times 9 \text{ cm}$$

$$\text{perimeter} = 2 \times 11 \text{ cm} + 2 \times 9 \text{ cm}$$

$$\text{perimeter} = 22 \text{ cm} + 18 \text{ cm}$$

$$\text{perimeter} = 40 \text{ cm}$$



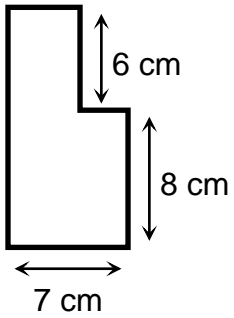
$$\text{perimeter} = 2 \times 8 \text{ mm} + 2 \times 6 \text{ mm} + 2 \times 3 \text{ mm}$$

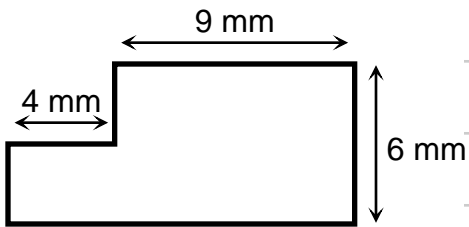
$$\text{perimeter} = 16 \text{ mm} + 12 \text{ mm} + 6 \text{ mm}$$

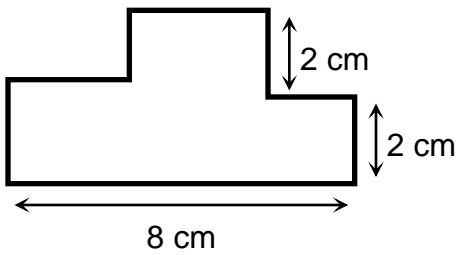
$$\text{perimeter} = 34 \text{ mm}$$

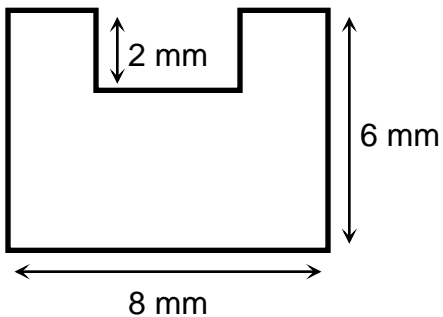


Find the perimeter.





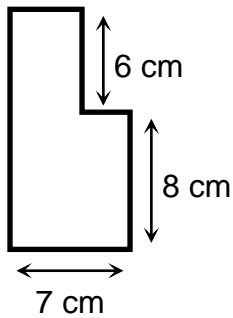






Answer Key

Find the perimeter.

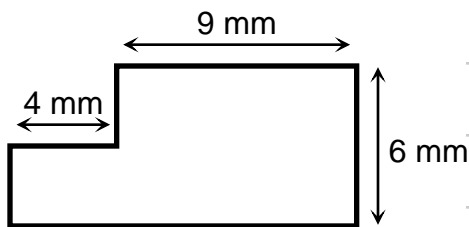


$$\text{perimeter} = 2 \times (6 \text{ cm} + 8 \text{ cm}) + 2 \times 7 \text{ cm}$$

$$\text{perimeter} = 2 \times 14 \text{ cm} + 2 \times 7 \text{ cm}$$

$$\text{perimeter} = 28 \text{ cm} + 14 \text{ cm}$$

$$\text{perimeter} = 42 \text{ cm}$$

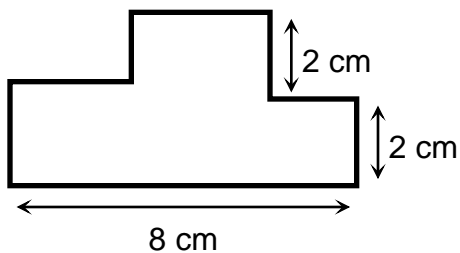


$$\text{perimeter} = 2 \times (4 \text{ mm} + 9 \text{ mm}) + 2 \times 6 \text{ mm}$$

$$\text{perimeter} = 2 \times 13 \text{ mm} + 2 \times 6 \text{ mm}$$

$$\text{perimeter} = 26 \text{ mm} + 12 \text{ mm}$$

$$\text{perimeter} = 38 \text{ mm}$$

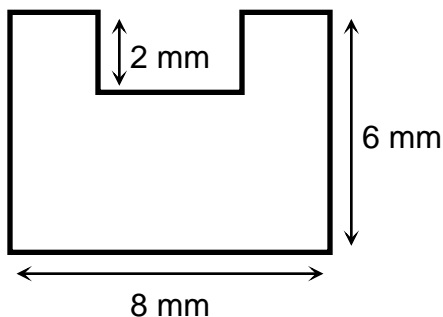


$$\text{perimeter} = 2 \times (2 \text{ cm} + 2 \text{ cm}) + 2 \times 8 \text{ cm}$$

$$\text{perimeter} = 2 \times 4 \text{ cm} + 2 \times 8 \text{ cm}$$

$$\text{perimeter} = 8 \text{ cm} + 16 \text{ cm}$$

$$\text{perimeter} = 24 \text{ cm}$$



$$\text{perimeter} = 2 \times 8 \text{ mm} + 2 \times 6 \text{ mm} + 2 \times 2 \text{ mm}$$

$$\text{perimeter} = 16 \text{ mm} + 12 \text{ mm} + 4 \text{ mm}$$

$$\text{perimeter} = 32 \text{ mm}$$



Maths = standardised Children = **unique**

**Personalised online maths tutoring that goes
beyond practice and builds your child's
confidence at school**

Enrol today



Let's solve this 