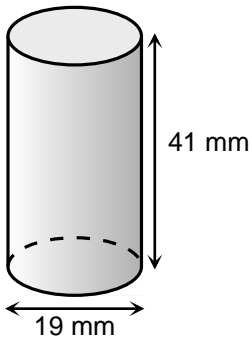




Find the surface area of the cylinder.



---

---

---

---

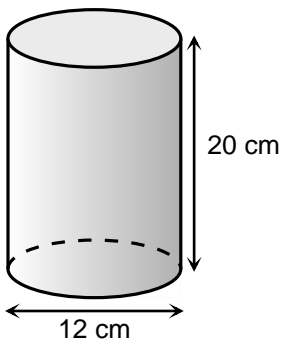
---

---

---

---

Find the surface area of the cylinder.



---

---

---

---

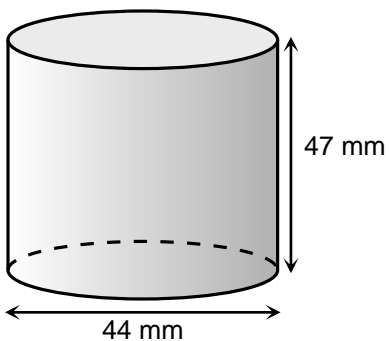
---

---

---

---

Find the surface area of the cylinder.



---

---

---

---

---

---

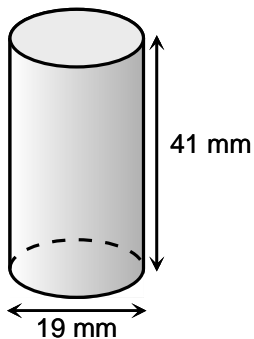
---

---



# Answer Key

Find the surface area of the cylinder.

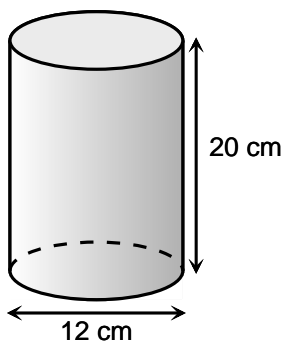


$$SA = 2\pi rh + 2\pi r^2$$

$$SA = 2 \times 3.14 \times 9.5 \times 41 + 2 \times 3.14 \times 9.5^2$$

$$SA = 3,012.83 \text{ mm}^2$$

Find the surface area of the cylinder.

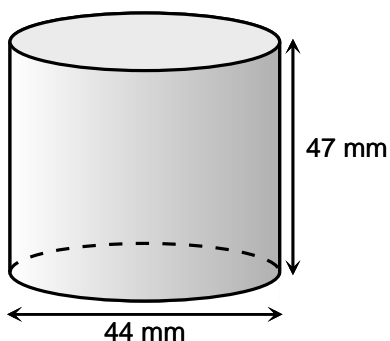


$$SA = 2\pi rh + 2\pi r^2$$

$$SA = 2 \times 3.14 \times 6 \times 20 + 2 \times 3.14 \times 6^2$$

$$SA = 979.68 \text{ cm}^2$$

Find the surface area of the cylinder.



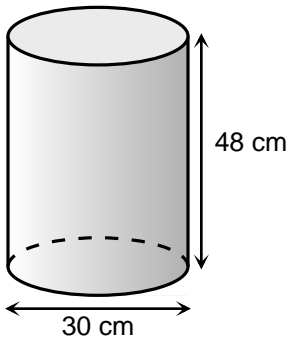
$$SA = 2\pi rh + 2\pi r^2$$

$$SA = 2 \times 3.14 \times 22 \times 47 + 2 \times 3.14 \times 22^2$$

$$SA = 9,533.04 \text{ mm}^2$$



Find the surface area of the cylinder.



---

---

---

---

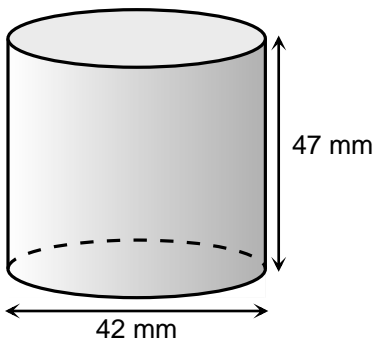
---

---

---

---

Find the surface area of the cylinder.



---

---

---

---

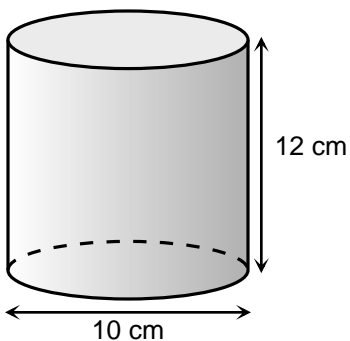
---

---

---

---

Find the surface area of the cylinder.



---

---

---

---

---

---

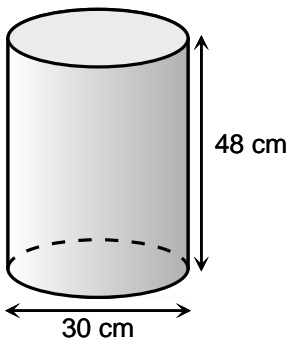
---

---



# Answer Key

Find the surface area of the cylinder.

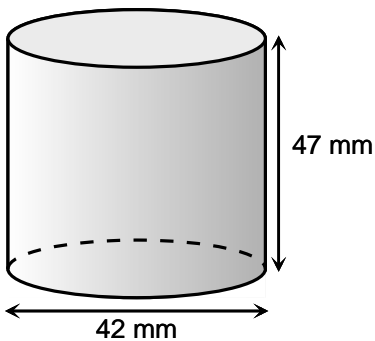


$$SA = 2\pi rh + 2\pi r^2$$

$$SA = 2 \times 3.14 \times 15 \times 48 + 2 \times 3.14 \times 15^2$$

$$SA = 5,934.6 \text{ cm}^2$$

Find the surface area of the cylinder.

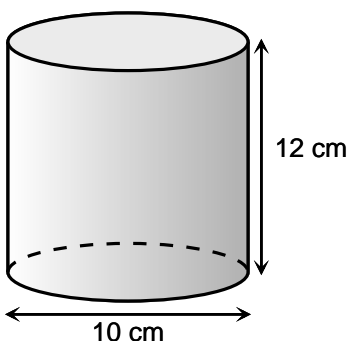


$$SA = 2\pi rh + 2\pi r^2$$

$$SA = 2 \times 3.14 \times 21 \times 47 + 2 \times 3.14 \times 21^2$$

$$SA = 8,967.84 \text{ mm}^2$$

Find the surface area of the cylinder.



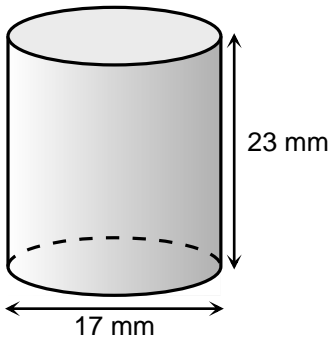
$$SA = 2\pi rh + 2\pi r^2$$

$$SA = 2 \times 3.14 \times 5 \times 12 + 2 \times 3.14 \times 5^2$$

$$SA = 533.8 \text{ cm}^2$$



Find the surface area of the cylinder.



---

---

---

---

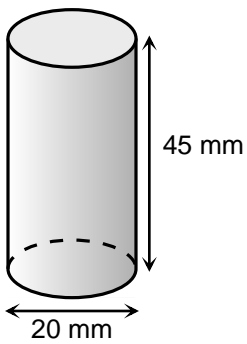
---

---

---

---

Find the surface area of the cylinder.



---

---

---

---

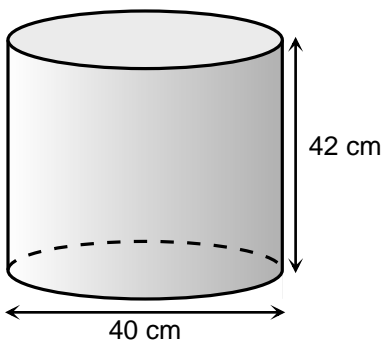
---

---

---

---

Find the surface area of the cylinder.



---

---

---

---

---

---

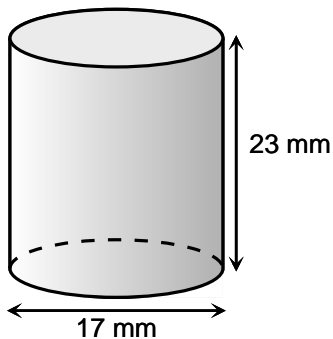
---

---



# Answer Key

Find the surface area of the cylinder.

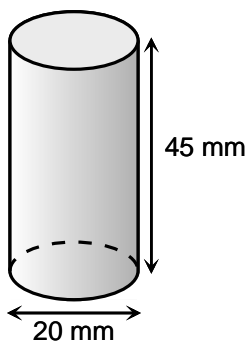


$$SA = 2\pi rh + 2\pi r^2$$

$$SA = 2 \times 3.14 \times 8.5 \times 23 + 2 \times 3.14 \times 8.5^2$$

$$SA = 1,681.47 \text{ mm}^2$$

Find the surface area of the cylinder.

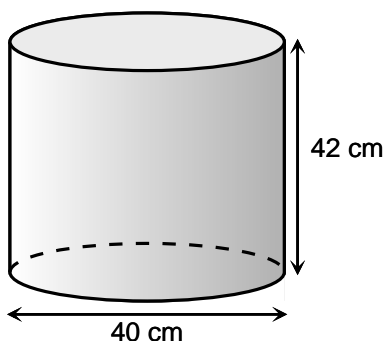


$$SA = 2\pi rh + 2\pi r^2$$

$$SA = 2 \times 3.14 \times 10 \times 45 + 2 \times 3.14 \times 10^2$$

$$SA = 3,454 \text{ mm}^2$$

Find the surface area of the cylinder.



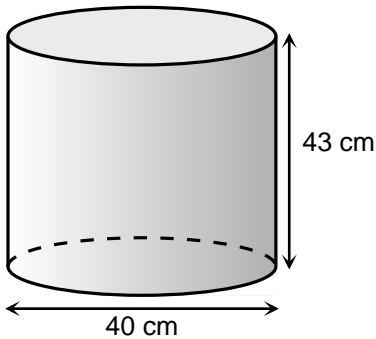
$$SA = 2\pi rh + 2\pi r^2$$

$$SA = 2 \times 3.14 \times 20 \times 42 + 2 \times 3.14 \times 20^2$$

$$SA = 7,787.2 \text{ cm}^2$$



Find the surface area of the cylinder.



---

---

---

---

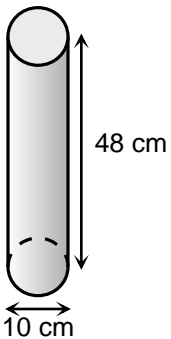
---

---

---

---

Find the surface area of the cylinder.



---

---

---

---

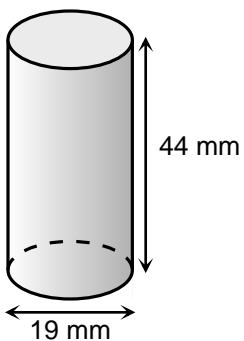
---

---

---

---

Find the surface area of the cylinder.



---

---

---

---

---

---

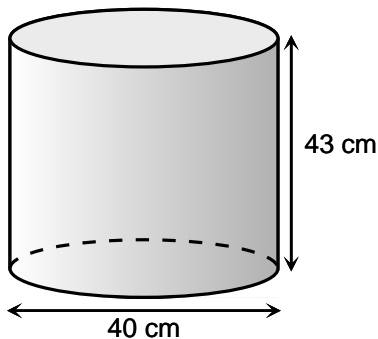
---

---



# Answer Key

Find the surface area of the cylinder.

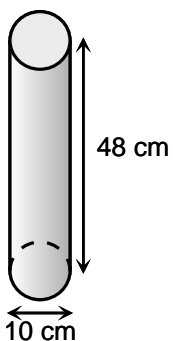


$$SA = 2\pi rh + 2\pi r^2$$

$$SA = 2 \times 3.14 \times 20 \times 43 + 2 \times 3.14 \times 20^2$$

$$SA = 7,912.8 \text{ cm}^2$$

Find the surface area of the cylinder.

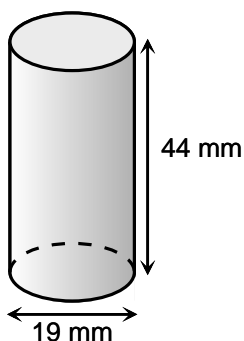


$$SA = 2\pi rh + 2\pi r^2$$

$$SA = 2 \times 3.14 \times 5 \times 48 + 2 \times 3.14 \times 5^2$$

$$SA = 1,664.2 \text{ cm}^2$$

Find the surface area of the cylinder.



$$SA = 2\pi rh + 2\pi r^2$$

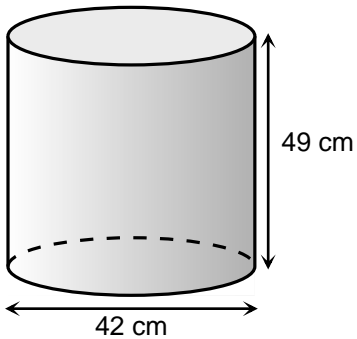
$$SA = 2 \times 3.14 \times 9.5 \times 44 + 2 \times 3.14 \times 9.5^2$$

$$SA = 3,191.81 \text{ mm}^2$$





Find the surface area of the cylinder.



---

---

---

---

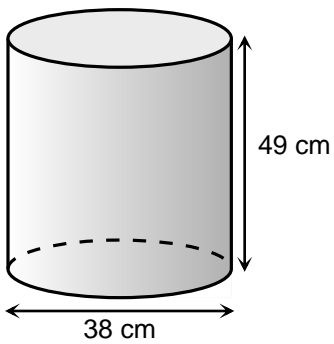
---

---

---

---

Find the surface area of the cylinder.



---

---

---

---

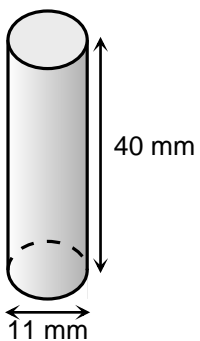
---

---

---

---

Find the surface area of the cylinder.



---

---

---

---

---

---

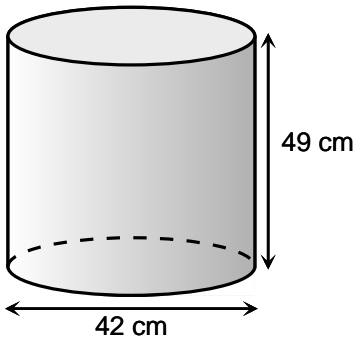
---

---



# Answer Key

Find the surface area of the cylinder.

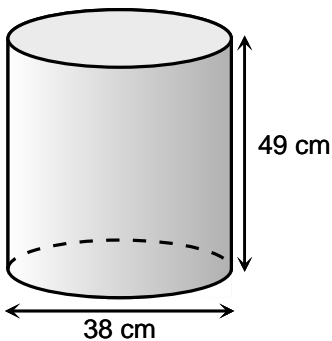


$$SA = 2\pi rh + 2\pi r^2$$

$$SA = 2 \times 3.14 \times 21 \times 49 + 2 \times 3.14 \times 21^2$$

$$SA = 9,231.6 \text{ cm}^2$$

Find the surface area of the cylinder.

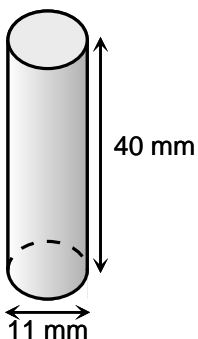


$$SA = 2\pi rh + 2\pi r^2$$

$$SA = 2 \times 3.14 \times 19 \times 49 + 2 \times 3.14 \times 19^2$$

$$SA = 8,113.76 \text{ cm}^2$$

Find the surface area of the cylinder.



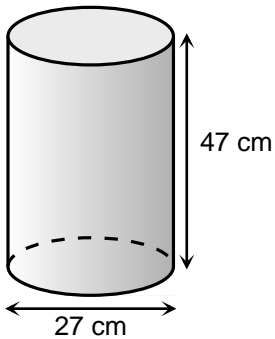
$$SA = 2\pi rh + 2\pi r^2$$

$$SA = 2 \times 3.14 \times 5.5 \times 40 + 2 \times 3.14 \times 5.5^2$$

$$SA = 1,571.57 \text{ mm}^2$$



Find the surface area of the cylinder.



---

---

---

---

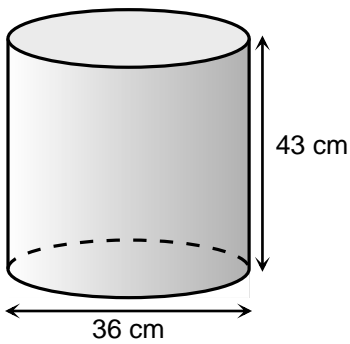
---

---

---

---

Find the surface area of the cylinder.



---

---

---

---

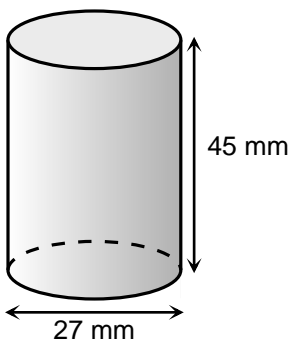
---

---

---

---

Find the surface area of the cylinder.



---

---

---

---

---

---

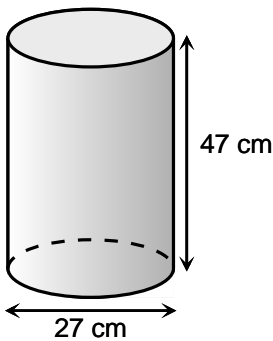
---

---



# Answer Key

Find the surface area of the cylinder.

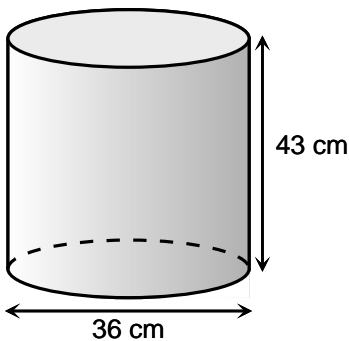


$$SA = 2\pi rh + 2\pi r^2$$

$$SA = 2 \times 3.14 \times 13.5 \times 47 + 2 \times 3.14 \times 13.5^2$$

$$SA = 5,129.19 \text{ cm}^2$$

Find the surface area of the cylinder.

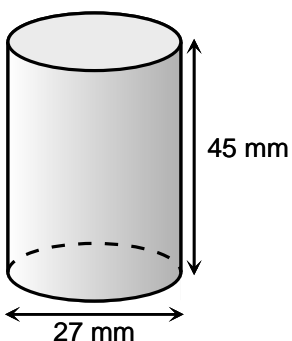


$$SA = 2\pi rh + 2\pi r^2$$

$$SA = 2 \times 3.14 \times 18 \times 43 + 2 \times 3.14 \times 18^2$$

$$SA = 6,895.44 \text{ cm}^2$$

Find the surface area of the cylinder.



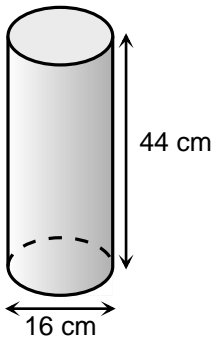
$$SA = 2\pi rh + 2\pi r^2$$

$$SA = 2 \times 3.14 \times 13.5 \times 45 + 2 \times 3.14 \times 13.5^2$$

$$SA = 4,959.63 \text{ mm}^2$$



Find the surface area of the cylinder.



---

---

---

---

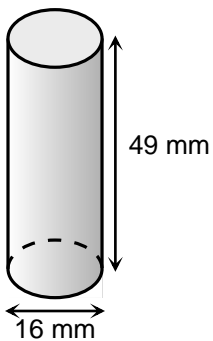
---

---

---

---

Find the surface area of the cylinder.



---

---

---

---

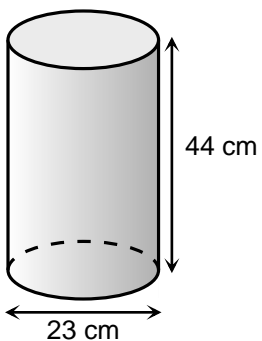
---

---

---

---

Find the surface area of the cylinder.



---

---

---

---

---

---

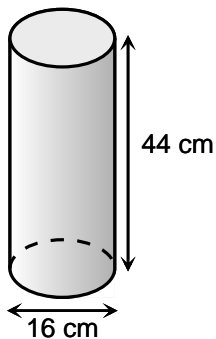
---

---



# Answer Key

Find the surface area of the cylinder.

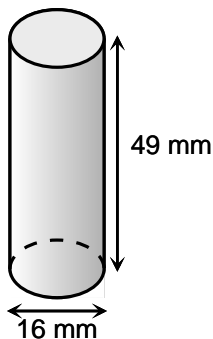


$$SA = 2\pi rh + 2\pi r^2$$

$$SA = 2 \times 3.14 \times 8 \times 44 + 2 \times 3.14 \times 8^2$$

$$SA = 2,612.48 \text{ cm}^2$$

Find the surface area of the cylinder.

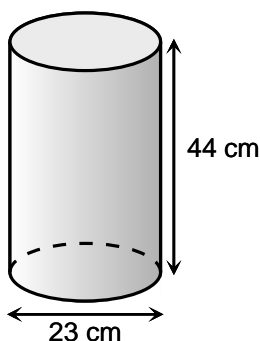


$$SA = 2\pi rh + 2\pi r^2$$

$$SA = 2 \times 3.14 \times 8 \times 49 + 2 \times 3.14 \times 8^2$$

$$SA = 2,863.68 \text{ mm}^2$$

Find the surface area of the cylinder.



$$SA = 2\pi rh + 2\pi r^2$$

$$SA = 2 \times 3.14 \times 11.5 \times 44 + 2 \times 3.14 \times 11.5^2$$

$$SA = 4,008.21 \text{ cm}^2$$



# Maths = standardised Children = **unique**

**Personalised online maths tutoring that goes  
beyond practice and builds your child's  
confidence at school**

**Enrol today**



Let's solve this 