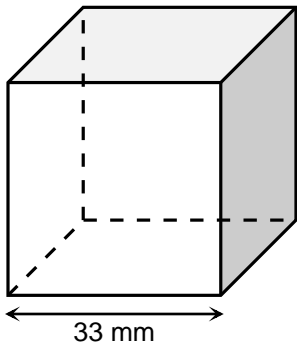
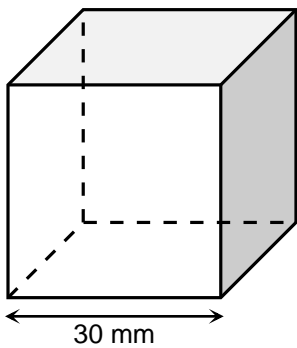




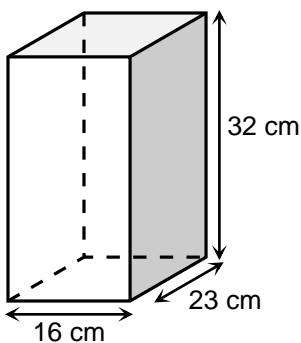
Find the surface area of the cube.



Find the surface area of the cube.



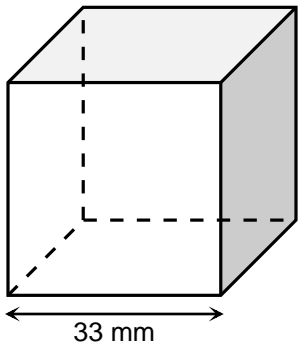
Find the surface area of the rectangular prism.





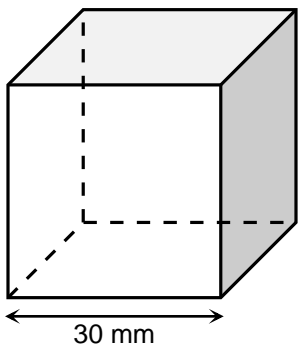
Answer Key

Find the surface area of the cube.



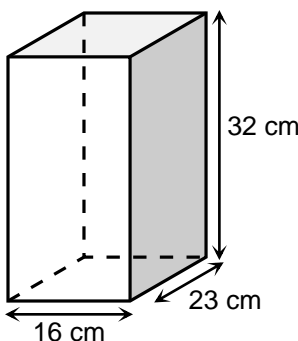
$$SA = 6a^2$$
$$SA = 6 \times 33^2$$
$$SA = 6,534 \text{ mm}^2$$

Find the surface area of the cube.



$$SA = 6a^2$$
$$SA = 6 \times 30^2$$
$$SA = 5,400 \text{ mm}^2$$

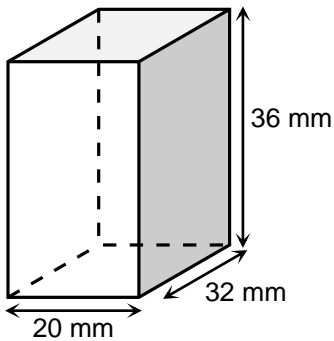
Find the surface area of the rectangular prism.



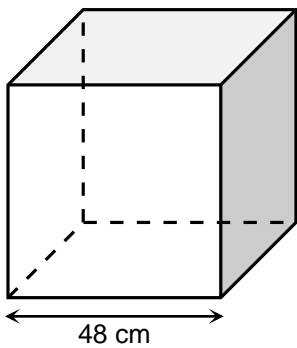
$$SA = 2lw + 2lh + 2wh$$
$$SA = 2 \times 23 \times 32 + 2 \times 23 \times 16 + 2 \times 32 \times 16$$
$$SA = 3,232 \text{ cm}^2$$



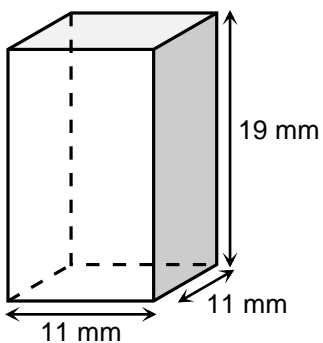
Find the surface area of the rectangular prism.



Find the surface area of the cube.



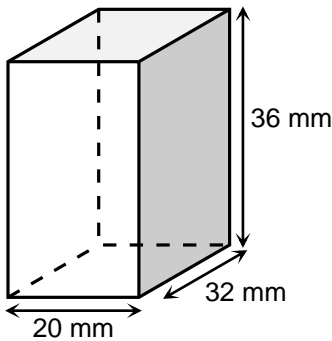
Find the surface area of the rectangular prism.





Answer Key

Find the surface area of the rectangular prism.

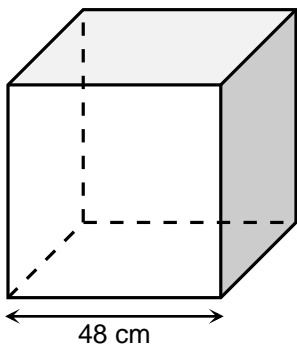


$$SA = 2lw + 2lh + 2wh$$

$$SA = 2 \times 32 \times 36 + 2 \times 32 \times 20 + 2 \times 36 \times 20$$

$$SA = 5,024 \text{ mm}^2$$

Find the surface area of the cube.

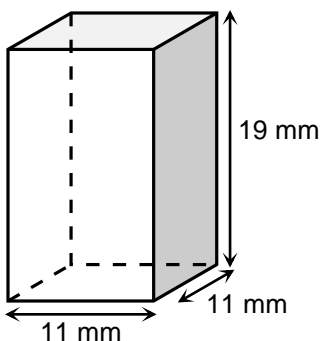


$$SA = 6a^2$$

$$SA = 6 \times 48^2$$

$$SA = 13,824 \text{ cm}^2$$

Find the surface area of the rectangular prism.



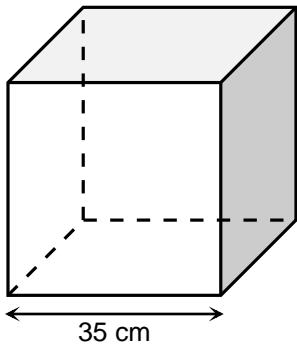
$$SA = 2lw + 2lh + 2wh$$

$$SA = 2 \times 11 \times 19 + 2 \times 11 \times 11 + 2 \times 19 \times 11$$

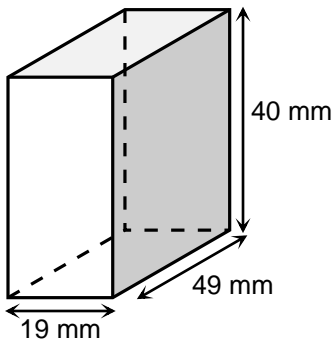
$$SA = 1,078 \text{ mm}^2$$



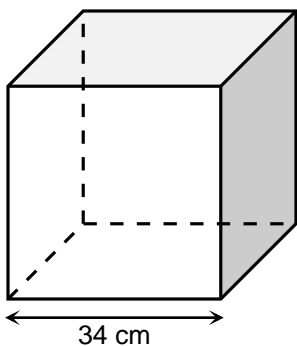
Find the surface area of the cube.



Find the surface area of the rectangular prism.



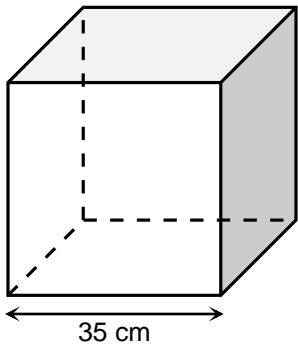
Find the surface area of the cube.





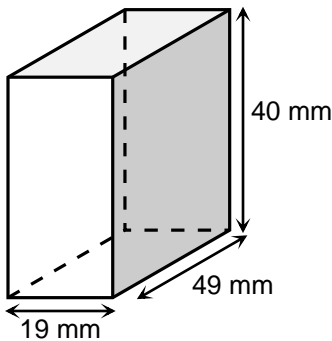
Answer Key

Find the surface area of the cube.



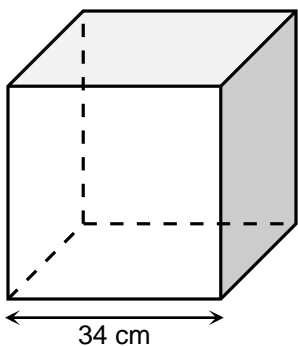
$$SA = 6a^2$$
$$SA = 6 \times 35^2$$
$$SA = 7,350 \text{ cm}^2$$

Find the surface area of the rectangular prism.



$$SA = 2lw + 2lh + 2wh$$
$$SA = 2 \times 49 \times 40 + 2 \times 49 \times 19 + 2 \times 40 \times 19$$
$$SA = 7,302 \text{ mm}^2$$

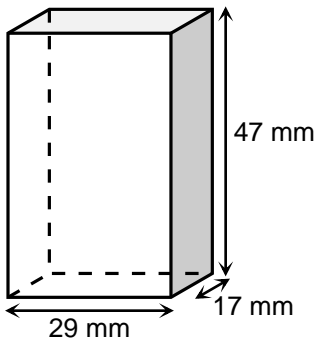
Find the surface area of the cube.



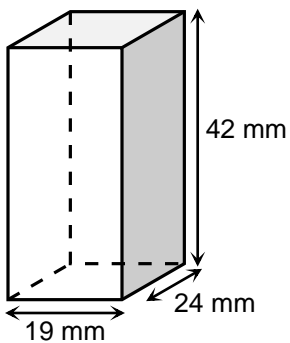
$$SA = 6a^2$$
$$SA = 6 \times 34^2$$
$$SA = 6,936 \text{ cm}^2$$



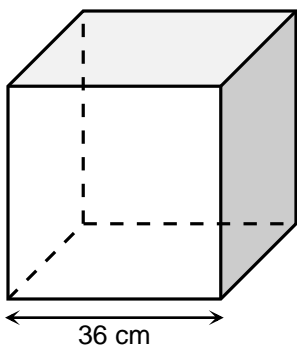
Find the surface area of the rectangular prism.



Find the surface area of the rectangular prism.



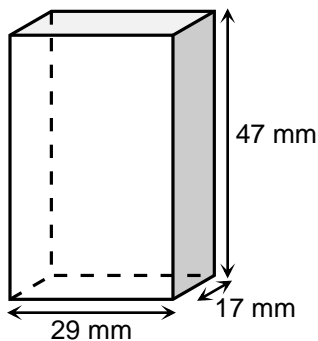
Find the surface area of the cube.





Answer Key

Find the surface area of the rectangular prism.

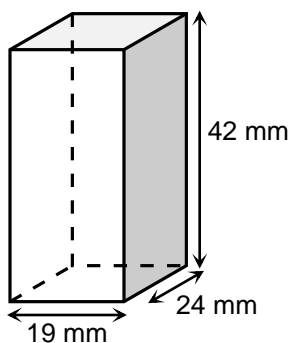


$$SA = 2lw + 2lh + 2wh$$

$$SA = 2 \times 17 \times 47 + 2 \times 17 \times 29 + 2 \times 47 \times 29$$

$$SA = 5,310 \text{ mm}^2$$

Find the surface area of the rectangular prism.

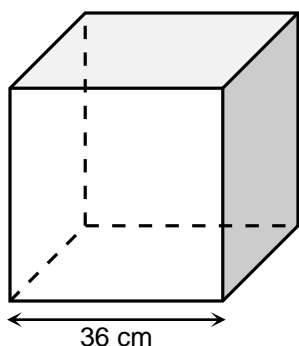


$$SA = 2lw + 2lh + 2wh$$

$$SA = 2 \times 24 \times 42 + 2 \times 24 \times 19 + 2 \times 42 \times 19$$

$$SA = 4,524 \text{ mm}^2$$

Find the surface area of the cube.



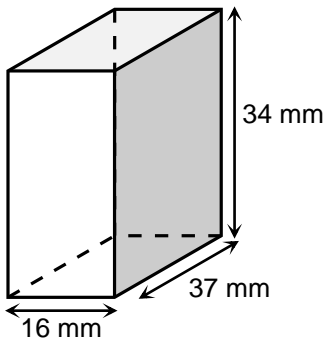
$$SA = 6a^2$$

$$SA = 6 \times 36^2$$

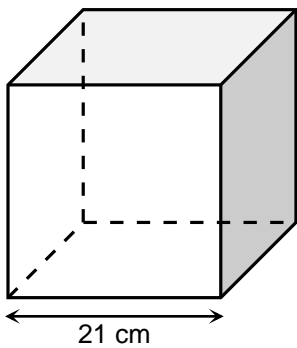
$$SA = 7,776 \text{ cm}^2$$



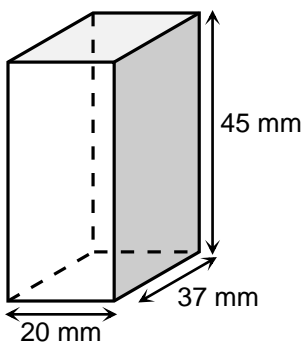
Find the surface area of the rectangular prism.



Find the surface area of the cube.



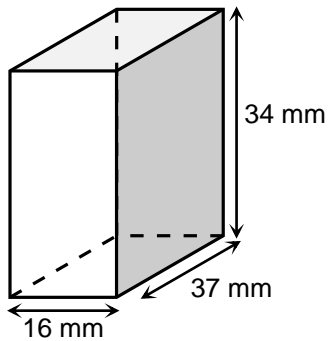
Find the surface area of the rectangular prism.





Answer Key

Find the surface area of the rectangular prism.

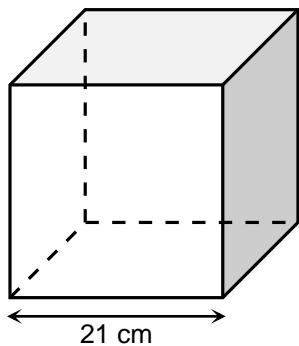


$$SA = 2lw + 2lh + 2wh$$

$$SA = 2 \times 37 \times 34 + 2 \times 37 \times 16 + 2 \times 34 \times 16$$

$$SA = 4,788 \text{ mm}^2$$

Find the surface area of the cube.

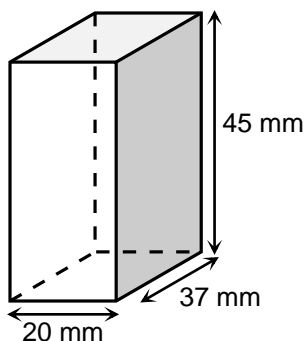


$$SA = 6a^2$$

$$SA = 6 \times 21^2$$

$$SA = 2,646 \text{ cm}^2$$

Find the surface area of the rectangular prism.



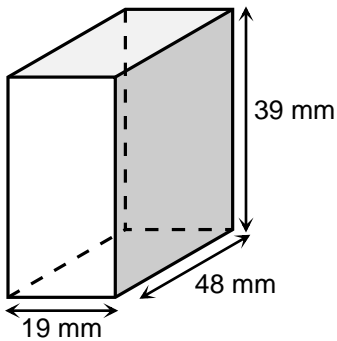
$$SA = 2lw + 2lh + 2wh$$

$$SA = 2 \times 37 \times 45 + 2 \times 37 \times 20 + 2 \times 45 \times 20$$

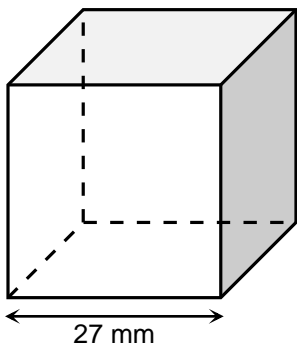
$$SA = 6,610 \text{ mm}^2$$



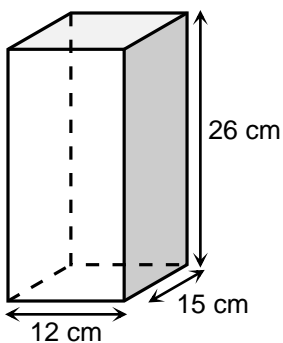
Find the surface area of the rectangular prism.



Find the surface area of the cube.



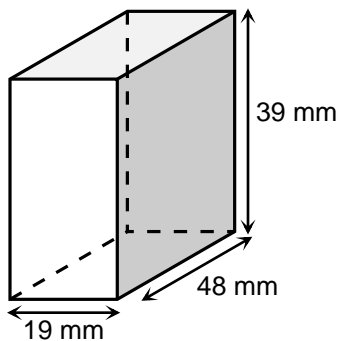
Find the surface area of the rectangular prism.





Answer Key

Find the surface area of the rectangular prism.

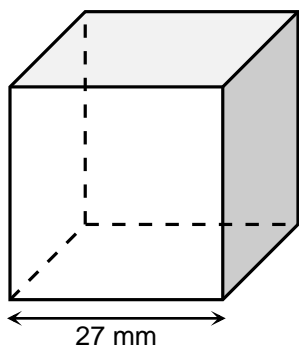


$$SA = 2lw + 2lh + 2wh$$

$$SA = 2 \times 48 \times 39 + 2 \times 48 \times 19 + 2 \times 39 \times 19$$

$$SA = 7,050 \text{ mm}^2$$

Find the surface area of the cube.

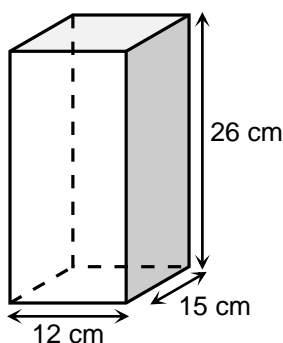


$$SA = 6a^2$$

$$SA = 6 \times 27^2$$

$$SA = 4,374 \text{ mm}^2$$

Find the surface area of the rectangular prism.



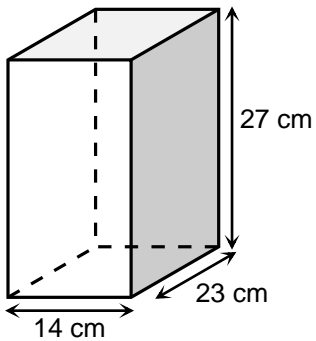
$$SA = 2lw + 2lh + 2wh$$

$$SA = 2 \times 15 \times 26 + 2 \times 15 \times 12 + 2 \times 26 \times 12$$

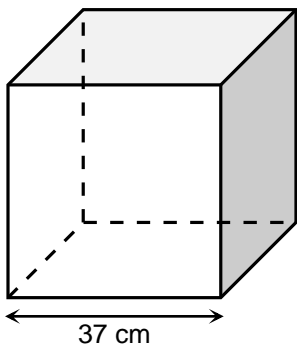
$$SA = 1,764 \text{ cm}^2$$



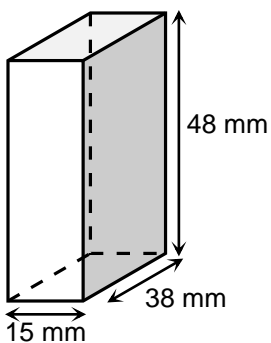
Find the surface area of the rectangular prism.



Find the surface area of the cube.



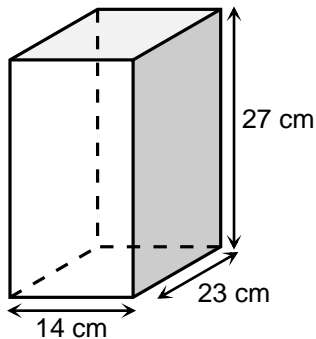
Find the surface area of the rectangular prism.





Answer Key

Find the surface area of the rectangular prism.

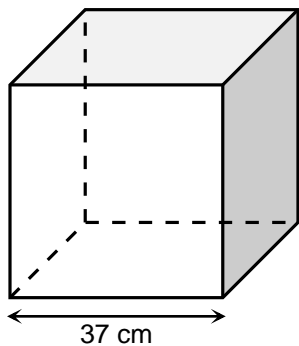


$$SA = 2lw + 2lh + 2wh$$

$$SA = 2 \times 23 \times 27 + 2 \times 23 \times 14 + 2 \times 27 \times 14$$

$$SA = 2,642 \text{ cm}^2$$

Find the surface area of the cube.

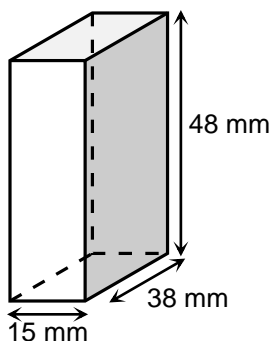


$$SA = 6a^2$$

$$SA = 6 \times 37^2$$

$$SA = 8,214 \text{ cm}^2$$

Find the surface area of the rectangular prism.



$$SA = 2lw + 2lh + 2wh$$

$$SA = 2 \times 38 \times 48 + 2 \times 38 \times 15 + 2 \times 48 \times 15$$

$$SA = 6,228 \text{ mm}^2$$



Maths = standardised Children = **unique**

**Personalised online maths tutoring that goes
beyond practice and builds your child's
confidence at school**

Enrol today



Let's solve this 