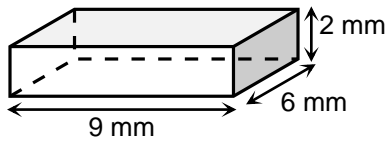




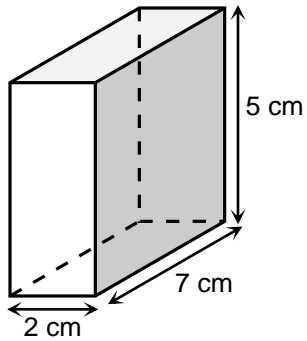
Find the volume of each rectangular prism.



---

---

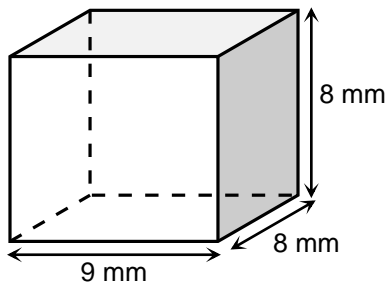
---



---

---

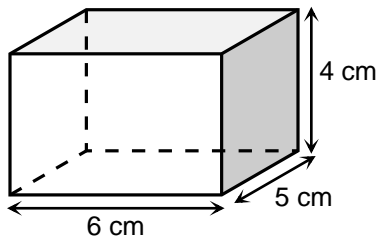
---



---

---

---



---

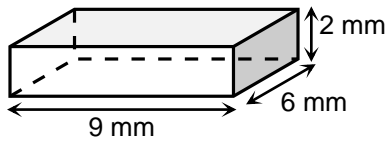
---

---



# Answer Key

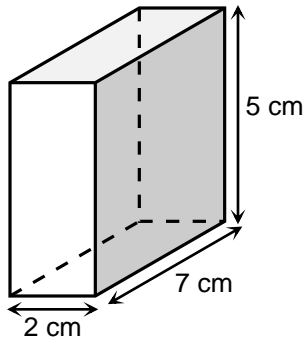
Find the volume of each rectangular prism.



$$V = L \times W \times D$$

$$V = 9 \text{ mm} \times 6 \text{ mm} \times 2 \text{ mm}$$

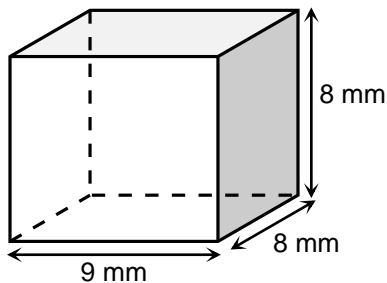
$$V = 108 \text{ mm}^3$$



$$V = L \times W \times D$$

$$V = 7 \text{ cm} \times 5 \text{ cm} \times 2 \text{ cm}$$

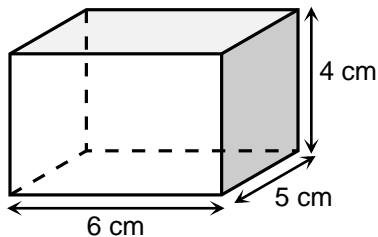
$$V = 70 \text{ cm}^3$$



$$V = L \times W \times D$$

$$V = 9 \text{ mm} \times 8 \text{ mm} \times 8 \text{ mm}$$

$$V = 576 \text{ mm}^3$$



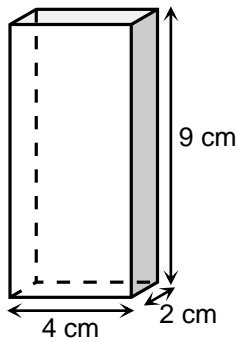
$$V = L \times W \times D$$

$$V = 6 \text{ cm} \times 5 \text{ cm} \times 4 \text{ cm}$$

$$V = 120 \text{ cm}^3$$



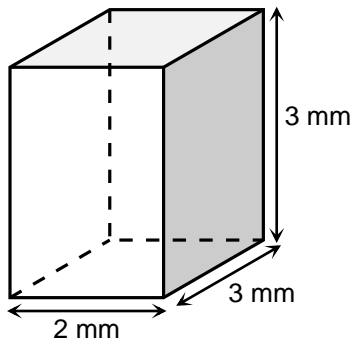
Find the volume of each rectangular prism.



---

---

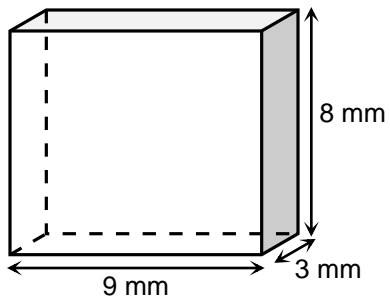
---



---

---

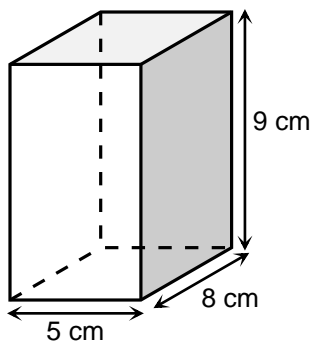
---



---

---

---



---

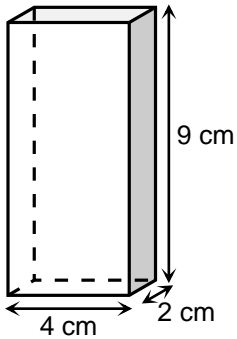
---

---



# Answer Key

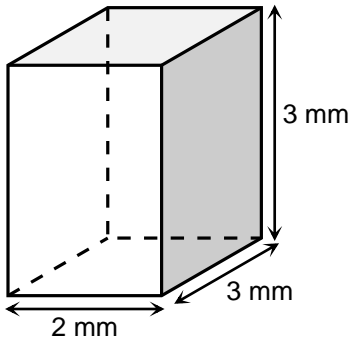
Find the volume of each rectangular prism.



$$V = L \times W \times D$$

$$V = 9 \text{ cm} \times 4 \text{ cm} \times 2 \text{ cm}$$

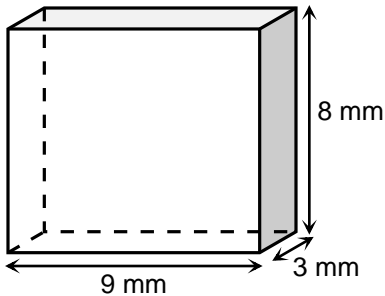
$$V = 72 \text{ cm}^3$$



$$V = L \times W \times D$$

$$V = 3 \text{ mm} \times 3 \text{ mm} \times 2 \text{ mm}$$

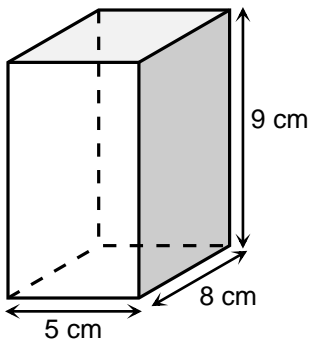
$$V = 18 \text{ mm}^3$$



$$V = L \times W \times D$$

$$V = 9 \text{ mm} \times 8 \text{ mm} \times 3 \text{ mm}$$

$$V = 216 \text{ mm}^3$$



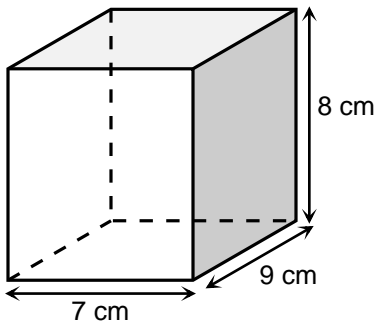
$$V = L \times W \times D$$

$$V = 9 \text{ cm} \times 8 \text{ cm} \times 5 \text{ cm}$$

$$V = 360 \text{ cm}^3$$



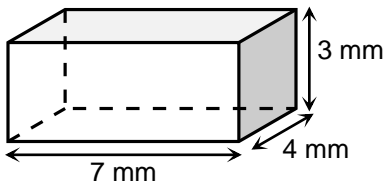
Find the volume of each rectangular prism.



---

---

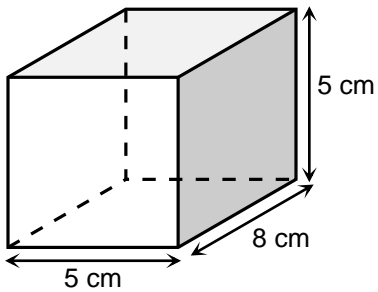
---



---

---

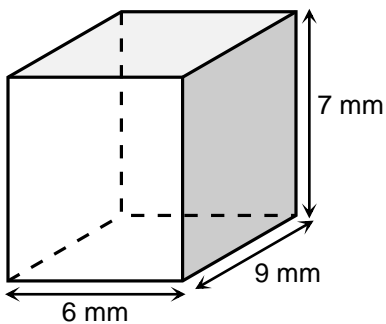
---



---

---

---



---

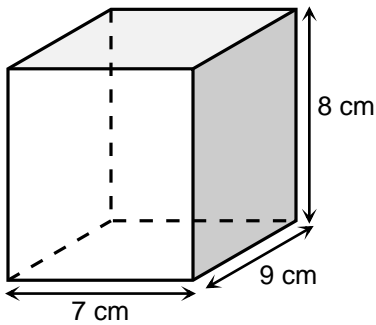
---

---



# Answer Key

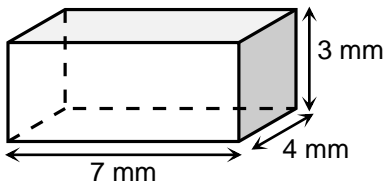
Find the volume of each rectangular prism.



$$V = L \times W \times D$$

$$V = 9 \text{ cm} \times 8 \text{ cm} \times 7 \text{ cm}$$

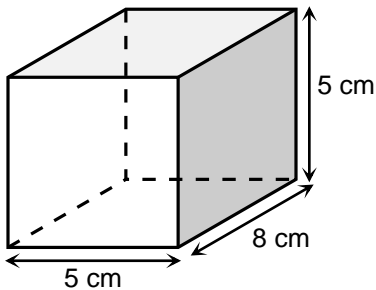
$$V = 504 \text{ cm}^3$$



$$V = L \times W \times D$$

$$V = 7 \text{ mm} \times 4 \text{ mm} \times 3 \text{ mm}$$

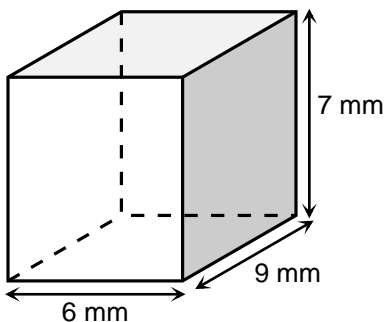
$$V = 84 \text{ mm}^3$$



$$V = L \times W \times D$$

$$V = 8 \text{ cm} \times 5 \text{ cm} \times 5 \text{ cm}$$

$$V = 200 \text{ cm}^3$$



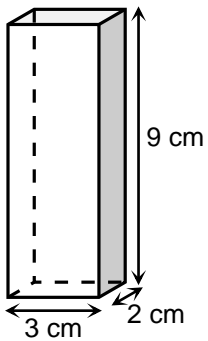
$$V = L \times W \times D$$

$$V = 9 \text{ mm} \times 7 \text{ mm} \times 6 \text{ mm}$$

$$V = 378 \text{ mm}^3$$



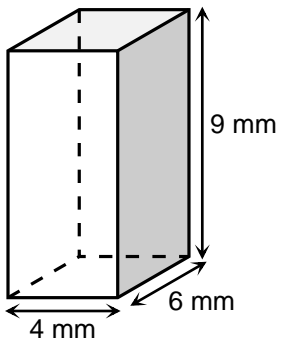
Find the volume of each rectangular prism.



---

---

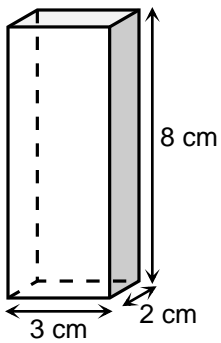
---



---

---

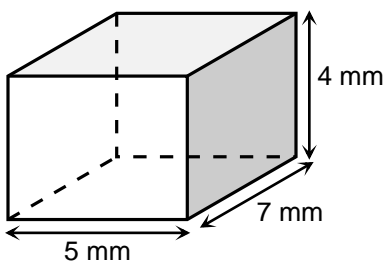
---



---

---

---



---

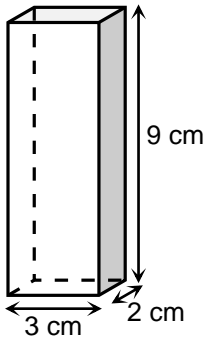
---

---



# Answer Key

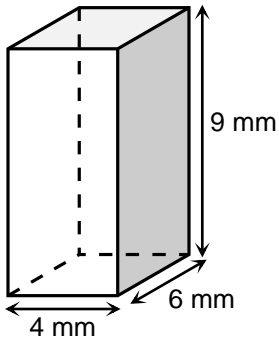
Find the volume of each rectangular prism.



$$V = L \times W \times D$$

$$V = 9 \text{ cm} \times 3 \text{ cm} \times 2 \text{ cm}$$

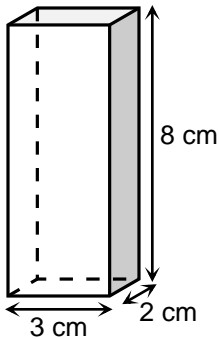
$$V = 54 \text{ cm}^3$$



$$V = L \times W \times D$$

$$V = 9 \text{ mm} \times 6 \text{ mm} \times 4 \text{ mm}$$

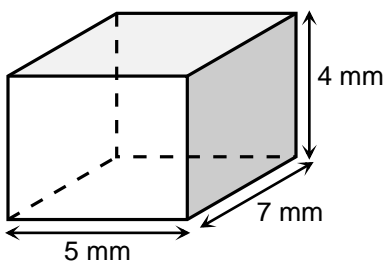
$$V = 216 \text{ mm}^3$$



$$V = L \times W \times D$$

$$V = 8 \text{ cm} \times 3 \text{ cm} \times 2 \text{ cm}$$

$$V = 48 \text{ cm}^3$$



$$V = L \times W \times D$$

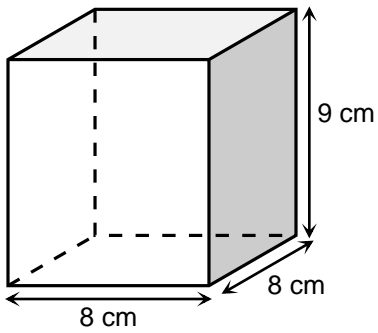
$$V = 7 \text{ mm} \times 5 \text{ mm} \times 4 \text{ mm}$$

$$V = 140 \text{ mm}^3$$





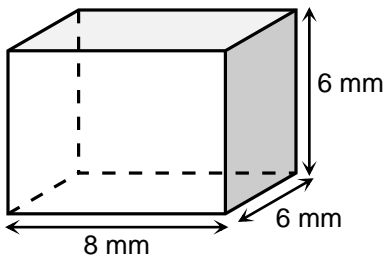
Find the volume of each rectangular prism.



---

---

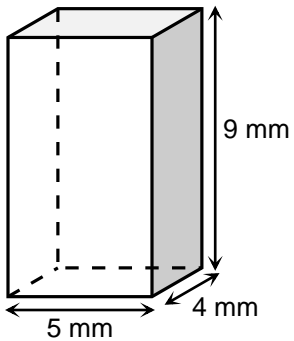
---



---

---

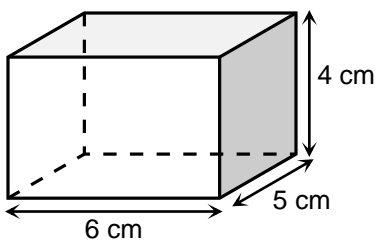
---



---

---

---



---

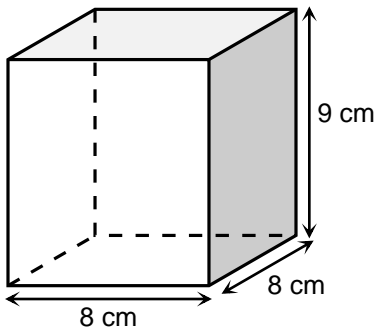
---

---



# Answer Key

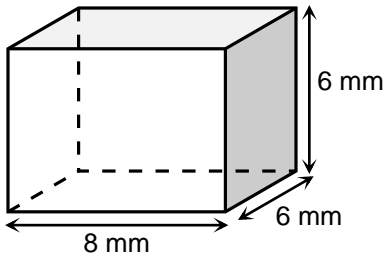
Find the volume of each rectangular prism.



$$V = L \times W \times D$$

$$V = 9 \text{ cm} \times 8 \text{ cm} \times 8 \text{ cm}$$

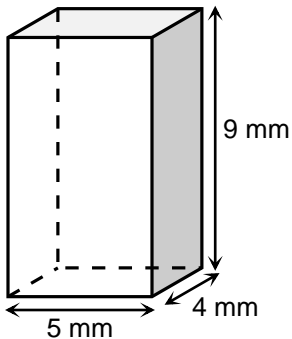
$$V = 576 \text{ cm}^3$$



$$V = L \times W \times D$$

$$V = 8 \text{ mm} \times 6 \text{ mm} \times 6 \text{ mm}$$

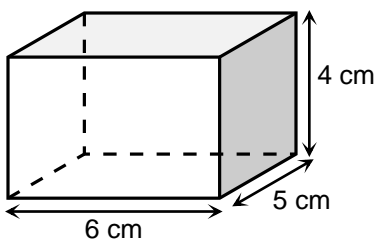
$$V = 288 \text{ mm}^3$$



$$V = L \times W \times D$$

$$V = 9 \text{ mm} \times 5 \text{ mm} \times 4 \text{ mm}$$

$$V = 180 \text{ mm}^3$$



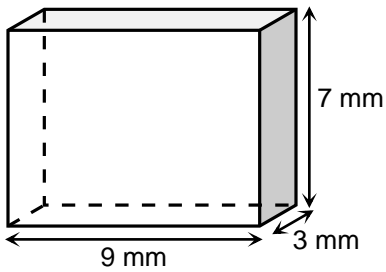
$$V = L \times W \times D$$

$$V = 6 \text{ cm} \times 5 \text{ cm} \times 4 \text{ cm}$$

$$V = 120 \text{ cm}^3$$



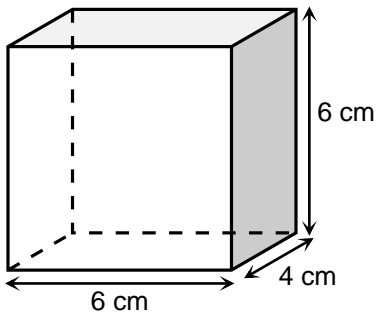
Find the volume of each rectangular prism.



---

---

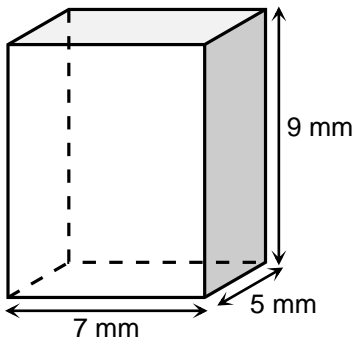
---



---

---

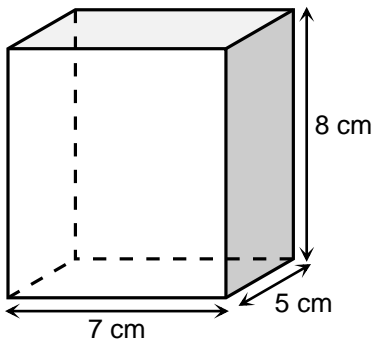
---



---

---

---



---

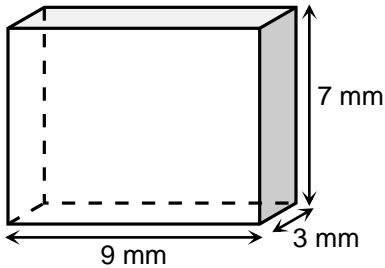
---

---



# Answer Key

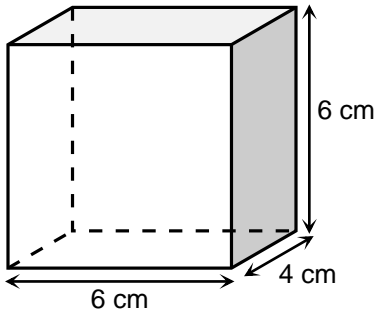
Find the volume of each rectangular prism.



$$V = L \times W \times D$$

$$V = 9 \text{ mm} \times 7 \text{ mm} \times 3 \text{ mm}$$

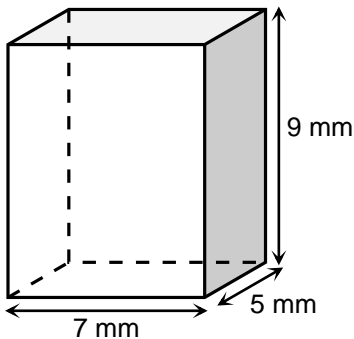
$$V = 189 \text{ mm}^3$$



$$V = L \times W \times D$$

$$V = 6 \text{ cm} \times 6 \text{ cm} \times 4 \text{ cm}$$

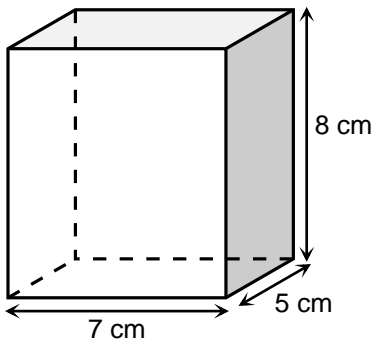
$$V = 144 \text{ cm}^3$$



$$V = L \times W \times D$$

$$V = 9 \text{ mm} \times 7 \text{ mm} \times 5 \text{ mm}$$

$$V = 315 \text{ mm}^3$$



$$V = L \times W \times D$$

$$V = 8 \text{ cm} \times 7 \text{ cm} \times 5 \text{ cm}$$

$$V = 280 \text{ cm}^3$$



# Maths = standardised Children = **unique**

**Personalised online maths tutoring that goes  
beyond practice and builds your child's  
confidence at school**

**Enrol today**



Let's solve this 