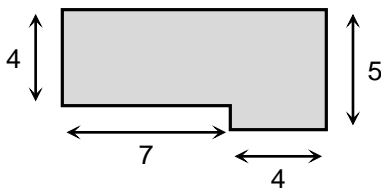
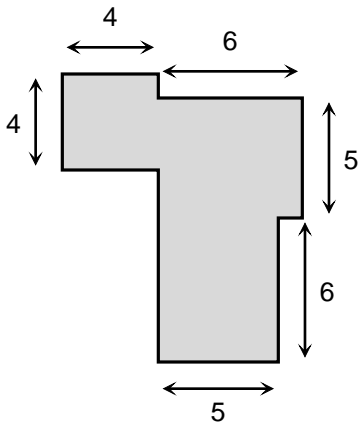


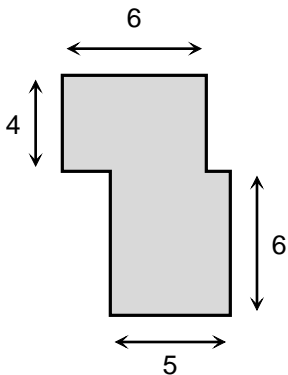
Find the area. Dimensions are in cm.



Find the area. Dimensions are in yards.

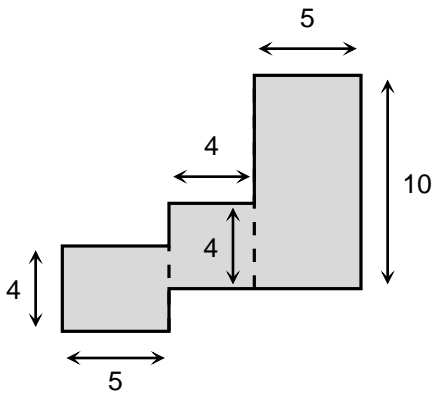


Find the area. Dimensions are in mm.



Find the area. Dimensions are in mm.

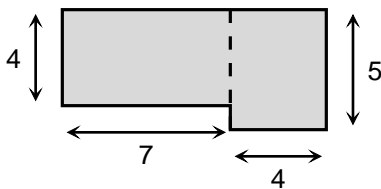
Answer Key



Find the area. Dimensions are in cm.

$$A = 5 \times 4 + 4 \times 4 + 5 \times 10$$

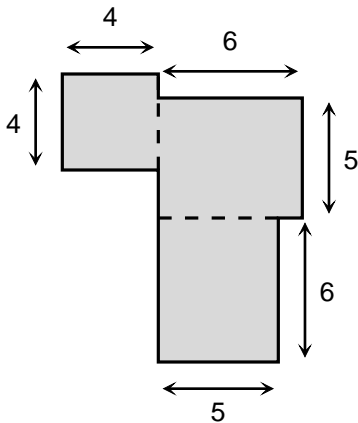
$$A = 86 \text{ sq cm}$$



Find the area. Dimensions are in yards.

$$A = 4 \times 5 + 7 \times 4$$

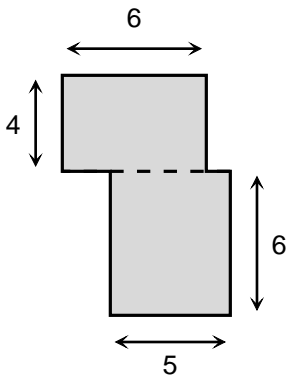
$$A = 48 \text{ sq yards}$$



Find the area. Dimensions are in mm.

$$A = 6 \times 5 + 5 \times 6 + 4 \times 4$$

$$A = 76 \text{ sq mm}$$



Find the area. Dimensions are in mm.

$$A = 6 \times 5 + 4 \times 6$$

$$A = 54 \text{ sq mm}$$



Maths = standardised Children = **unique**

**Personalised online maths tutoring that goes
beyond practice and builds your child's
confidence at school**

Enrol today



Let's solve this 