

# Maths Worksheet



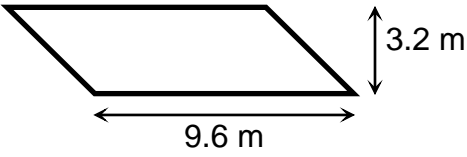
Let's solve this 

## **PRACTICE MAKES PERFECT!**

Need help with a Maths question or help with your homework? Our awesome Mathematics tutors are available online 7:30am-9pm in all Australian states, 7 days a week  
Enrol today at <https://clueylearning.com.au>



Find the area.



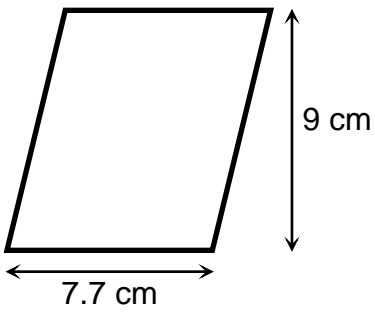
---

---

---

---

---



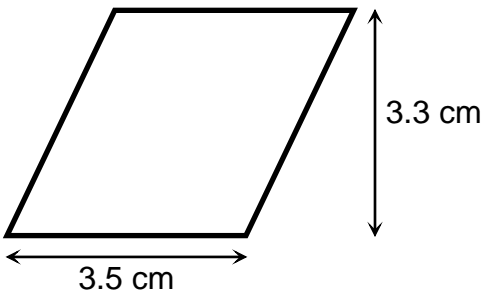
---

---

---

---

---



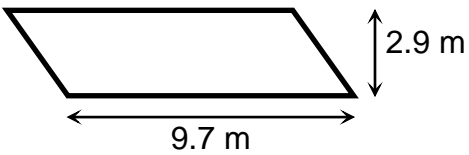
---

---

---

---

---



---

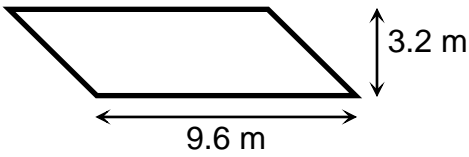
---

---

---

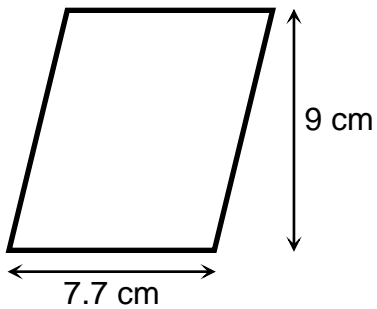
---

# Answer Key



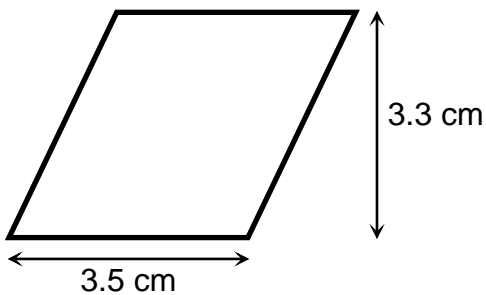
$$\text{Area} = 9.6 \text{ m} \times 3.2 \text{ m}$$

$$\text{Area} = 30.72 \text{ sq. m}$$



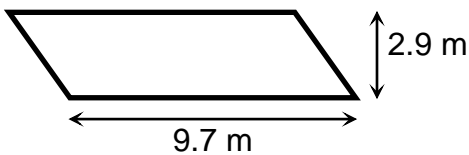
$$\text{Area} = 7.7 \text{ cm} \times 9 \text{ cm}$$

$$\text{Area} = 69.3 \text{ sq. cm}$$



$$\text{Area} = 3.5 \text{ cm} \times 3.3 \text{ cm}$$

$$\text{Area} = 11.55 \text{ sq. cm}$$

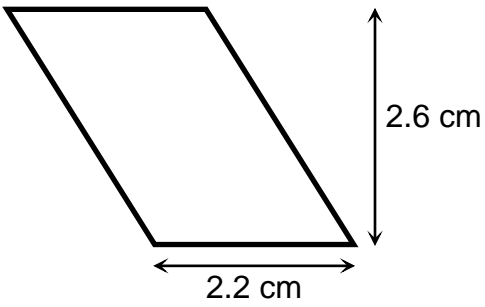


$$\text{Area} = 9.7 \text{ m} \times 2.9 \text{ m}$$

$$\text{Area} = 28.13 \text{ sq. m}$$



Find the area.



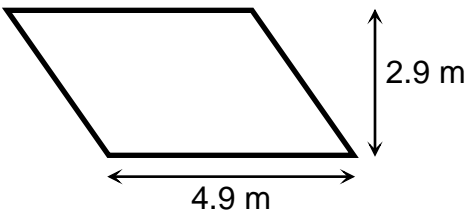
---

---

---

---

---



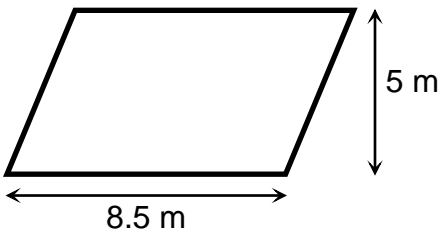
---

---

---

---

---



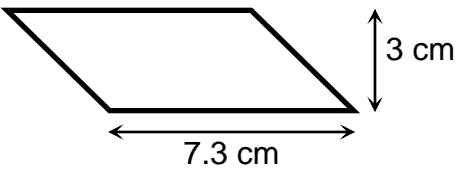
---

---

---

---

---



---

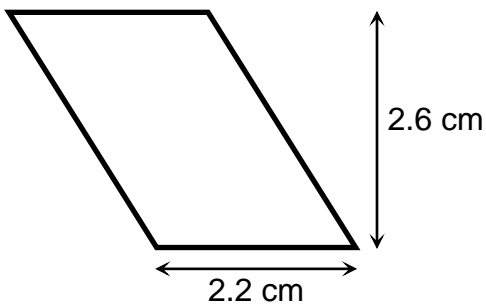
---

---

---

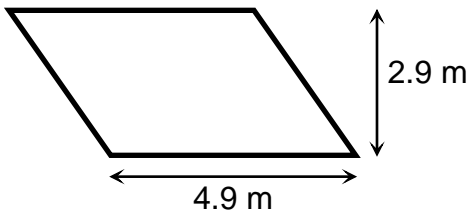
---

# Answer Key



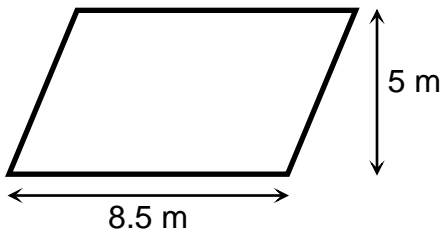
$$\text{Area} = 2.2 \text{ cm} \times 2.6 \text{ cm}$$

$$\text{Area} = 5.72 \text{ sq. cm}$$



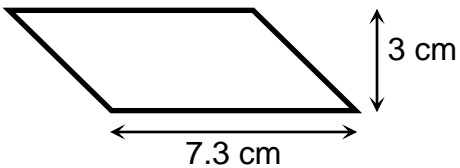
$$\text{Area} = 4.9 \text{ m} \times 2.9 \text{ m}$$

$$\text{Area} = 14.21 \text{ sq. m}$$



$$\text{Area} = 8.5 \text{ m} \times 5 \text{ m}$$

$$\text{Area} = 42.5 \text{ sq. m}$$

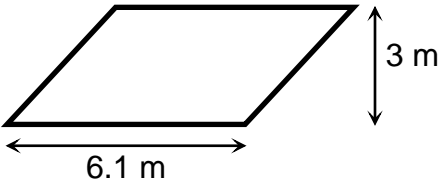


$$\text{Area} = 7.3 \text{ cm} \times 3 \text{ cm}$$

$$\text{Area} = 21.9 \text{ sq. cm}$$



Find the area.



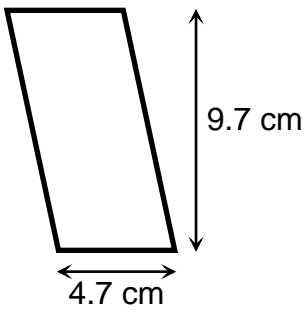
---

---

---

---

---



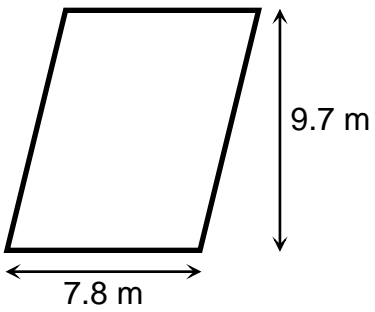
---

---

---

---

---



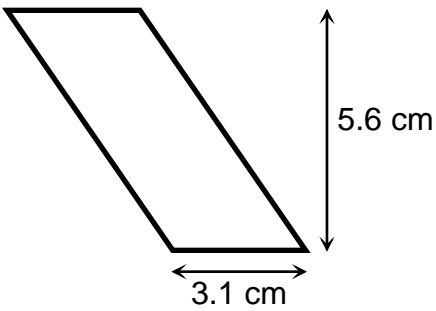
---

---

---

---

---



---

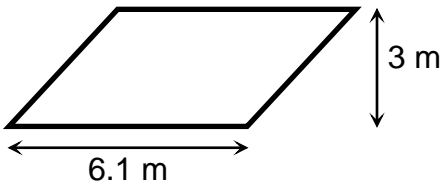
---

---

---

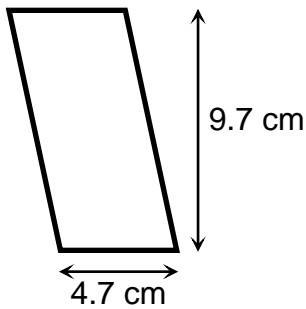
---

# Answer Key



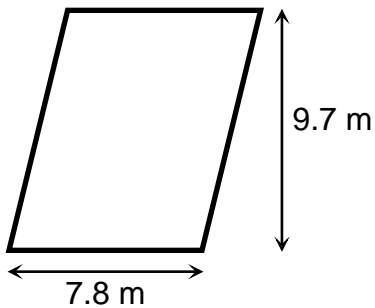
$$\text{Area} = 6.1 \text{ m} \times 3 \text{ m}$$

$$\text{Area} = 18.3 \text{ sq. m}$$



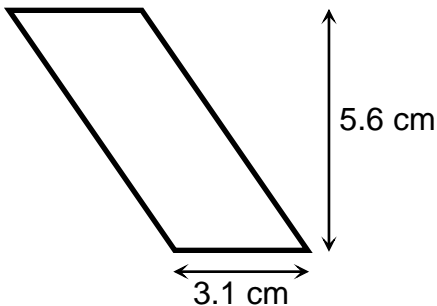
$$\text{Area} = 4.7 \text{ cm} \times 9.7 \text{ cm}$$

$$\text{Area} = 45.59 \text{ sq. cm}$$



$$\text{Area} = 7.8 \text{ m} \times 9.7 \text{ m}$$

$$\text{Area} = 75.66 \text{ sq. m}$$



$$\text{Area} = 3.1 \text{ cm} \times 5.6 \text{ cm}$$

$$\text{Area} = 17.36 \text{ sq. cm}$$



# Maths = standardised Children = **unique**

**Personalised online maths tutoring that goes  
beyond practice and builds your child's  
confidence at school**

**Enrol today**



Let's solve this 